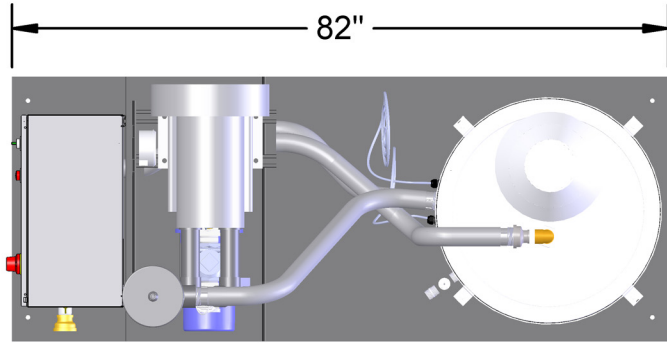


# E-Z Stacker 2.6P Skid

## GENERAL SPECIFICATIONS

- Max. flow rate: 25GPM
- Air flow: 140CFM
- Sump working vol.: 42 gallons
- Materials of construction: HDPE, neoprene gaskets



PLAN VIEW

AIR DISCHARGE  
4" PIPE

AIR INLET  
FILTER

AIR BLEED  
OFF

AERATION  
BLOWER

WATER  
DISCHARGE  
1" NPT

107"

WATER INLET  
1-1/4" NPT

15.8"

33"

FRONT VIEW

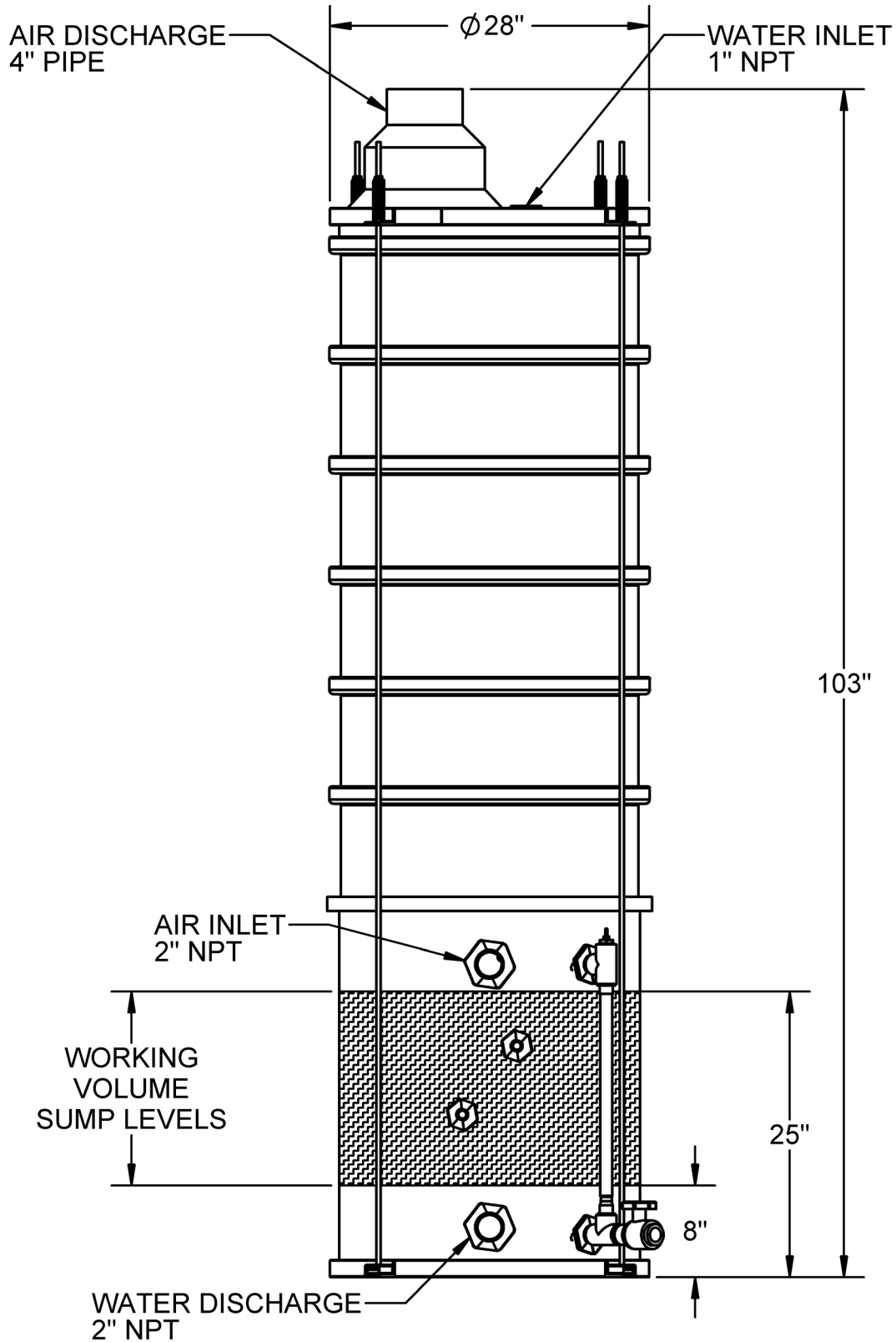
SIDE VIEW

EXAMPLE OF A SKID SYSTEM WITH CONTROL PANEL, PUMPS, AND BLOWER CONTACT QED FOR INFORMATION ON ALL OPTIONS.  
 NOT TO SCALE, NOT FOR CONSTRUCTION, FOR REFERENCE ONLY  
 LICENSED UNDER PATENT # 10,272,356 B2 AND  
 MORE U.S. AND NON U.S. PATENTS.



# E-Z Stacker 2.6P

103" H X 27" DIAM



E-Z Stacker 2.6P STRIPPER ONLY.  
CONTACT QED FOR INFORMATION ON ALL OPTIONS.  
NOT TO SCALE, NOT FOR CONSTRUCTION, FOR REFERENCE ONLY  
LICENSED UNDER PATENT # 10,272,356 B2 AND  
MORE U.S. AND NON U.S. PATENTS.