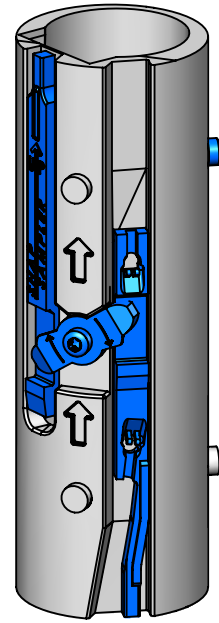
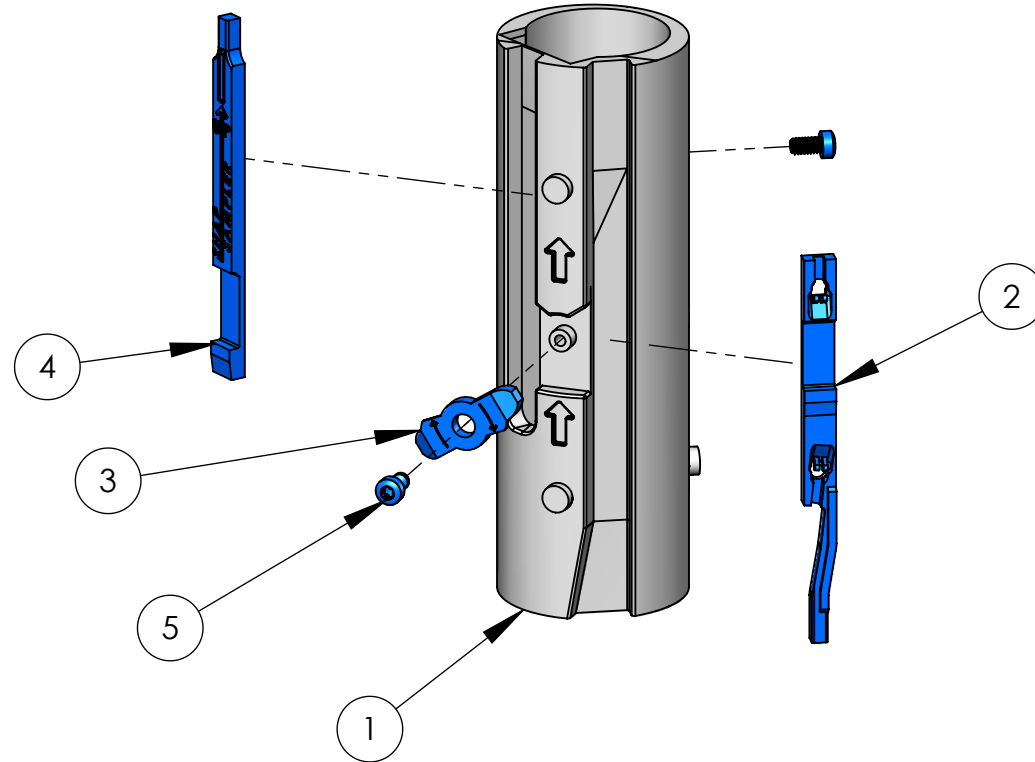


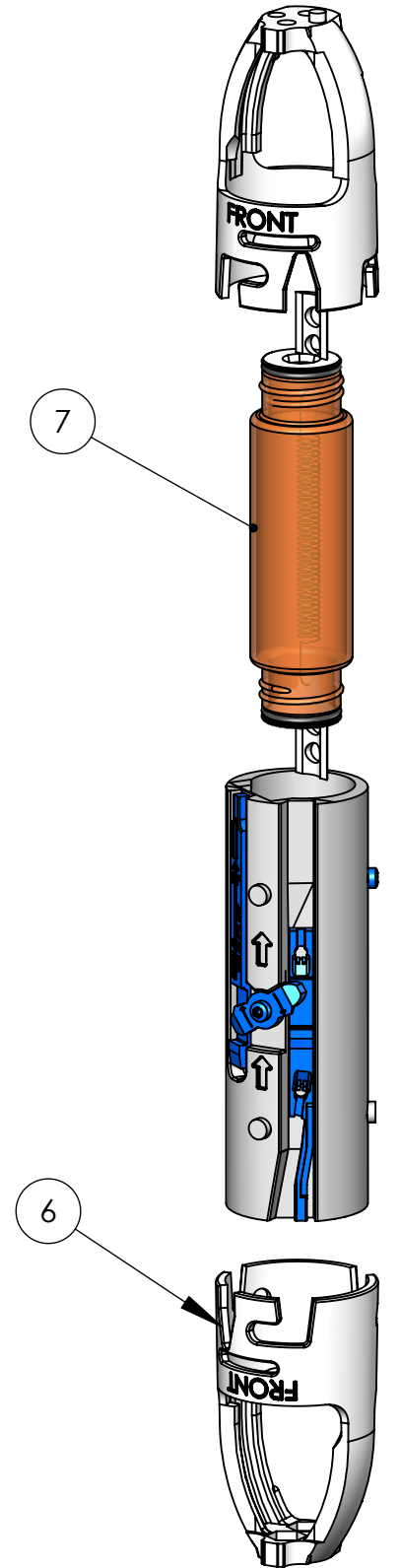
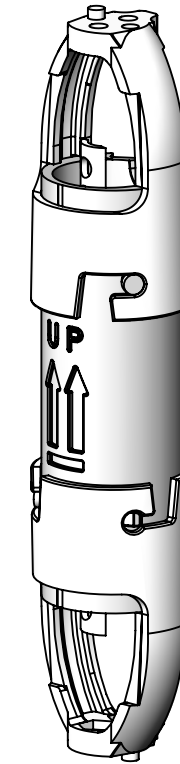
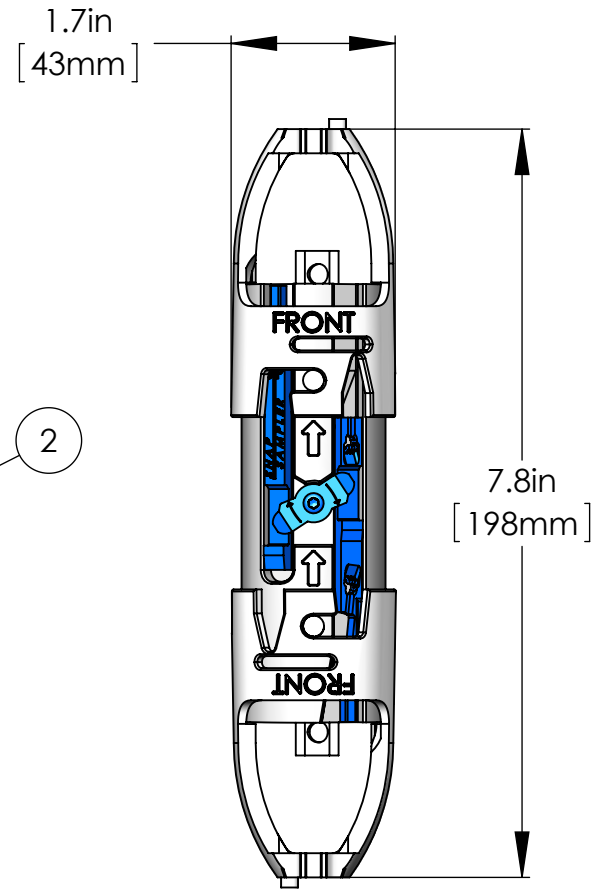
ITEM NO.	DESCRIPTION	QTY.
1	40mL SAMPLER BODY	1
2	LOWER RELEASE PIN (SHORT)	1
3	RELEASE PIN LEVER	1
4	UPPER RELEASE PIN	1
5	4-40 SCREW (PLASTIC)	2
6	TWIST-ON CONNECTOR	2
7	40mL BOTTLE, CLEAR OR AMBER (SHOWN)	1



SCALE 1 : 1.5



SCALE 1 : 1.5



UNLESS OTHERWISE SPECIFIED:  
 DIMENSIONS ARE IN INCHES  
 TOLERANCES:  
 FRACTIONAL: ± 1/16  
 ANGULAR: 1°  
 TWO PLACE DECIMAL ± 0.01  
 THREE PLACE DECIMAL ± 0.005  
 INTERPRET GEOMETRIC TOLERANCING PER:  
 ASME Y14.5-2009  
 MATERIAL  
 FINISH  
 DO NOT SCALE DRAWING

DRAWN	NAME	DATE
	MAB	01/02/13
CHECKED		
ENG APPR.		
MFG APPR.		
Q.A.		
COMMENTS:	1in [25.4mm]	

<b>ProHydro, Inc.</b>		
<small>MADE IN THE USA   585-385-0023   www.prohydro.com</small>		
TITLE: <b>40mL SNAP SAMPLER</b>		
SIZE	PART NO.	REV
<b>B</b>		
SCALE: 1:2	WEIGHT:	SHEET 1 OF 2

**PROPRIETARY AND CONFIDENTIAL**  
 THE INFORMATION CONTAINED IN THIS DRAWING IS THE SOLE PROPERTY OF PROHYDRO INC. ANY REPRODUCTION IN PART OR AS A WHOLE WITHOUT THE WRITTEN PERMISSION OF PROHYDRO INC. IS PROHIBITED.

ITEM NO.	DESCRIPTION	QTY.
1	40mL SNAP SAMPLER ASSEMBLY	3
2	BALL END CONNECTOR (S.S.)	2
3	BALL END CONNECTOR (PLASTIC)	2
4	SCREW (PLASTIC)	4
5	HEX NUT (PLASTIC)	4

D

C

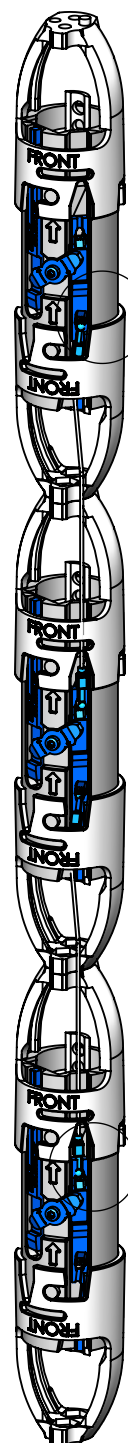
B

A

TOP

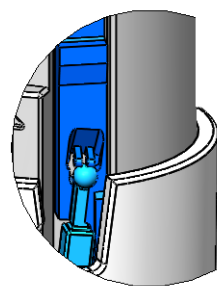
MIDDLE

BOTTOM

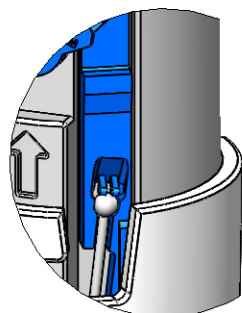


A

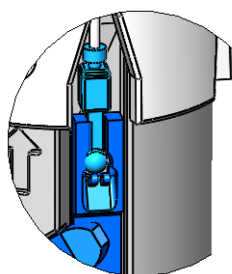
B



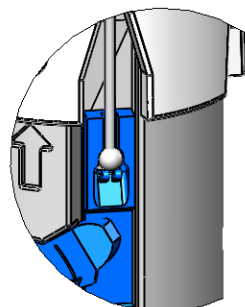
DETAIL A  
PLASTIC CONNECTOR  
CABLE INSERTION



DETAIL A'  
S.S. CONNECTOR  
CABLE INSERTION



DETAIL B  
PLASTIC CONNECTOR  
CABLE INSERTION



DETAIL B'  
S.S. CONNECTOR  
CABLE INSERTION

**NOTE:**

- 40mL AND 125mL SNAP SAMPLERS ARE INTERCHANGEABLE AND CAN BE ASSEMBLED IN ANY COMBINATION UP TO 6 IN SERIES.
- EITHER CABLE CONNECTOR(S) (PLASTIC OR STAINLESS STEEL) CAN BE USED

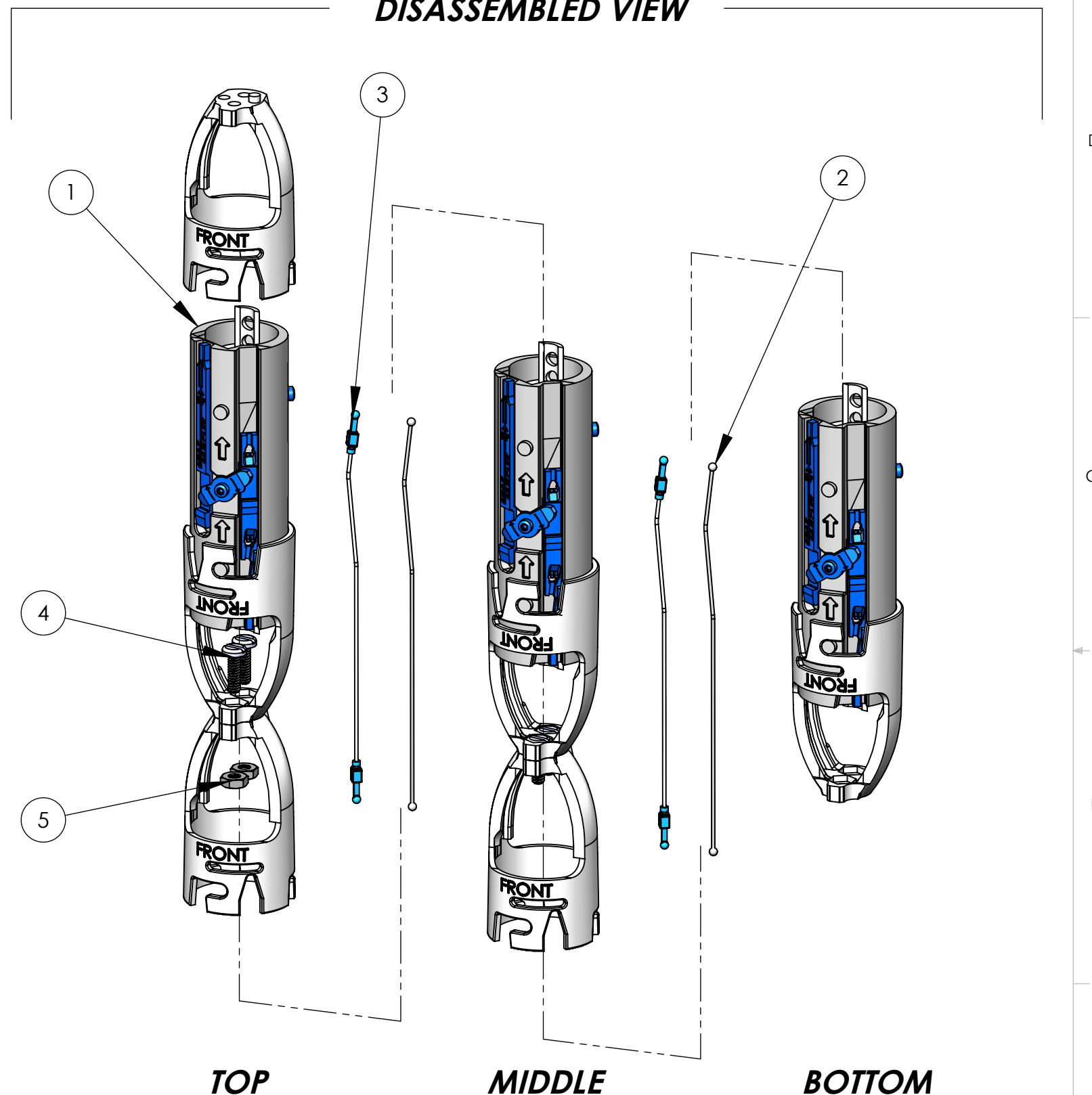
5

4

3

2

1

**DISASSEMBLED VIEW**

TOP

MIDDLE

BOTTOM

UNLESS OTHERWISE SPECIFIED:  
DIMENSIONS ARE IN INCHES  
TOLERANCES:  
FRACTIONAL:  $\pm 1/16$   
ANGULAR:  $1^\circ$   
TWO PLACE DECIMAL  $\pm 0.01$   
THREE PLACE DECIMAL  $\pm 0.005$   
INTERPRET GEOMETRIC  
TOLERANCING PER:

ASME Y14.5-2009

MATERIAL

FINISH

DO NOT SCALE DRAWING

DRAWN	NAME	DATE
	MAB	01/02/13

CHECKED

ENG APPR.

MFG APPR.

Q.A.

COMMENTS:

1in  
[25.4mm]

ProHydro, Inc.

MADE IN THE USA | 585-385-0023 | www.prohydro.com

TITLE:  
40mL SNAP SAMPLER

SIZE PART NO. REV

SCALE: 1:2 WEIGHT: SHEET 2 OF 2

PROPRIETARY AND CONFIDENTIAL

THE INFORMATION CONTAINED IN THIS DRAWING IS THE SOLE  
PROPERTY OF PROHYDRO INC. ANY REPRODUCTION IN PART OR  
AS A WHOLE WITHOUT THE WRITTEN PERMISSION OF PROHYDRO  
INC. IS PROHIBITED.

8

7

6

5

4

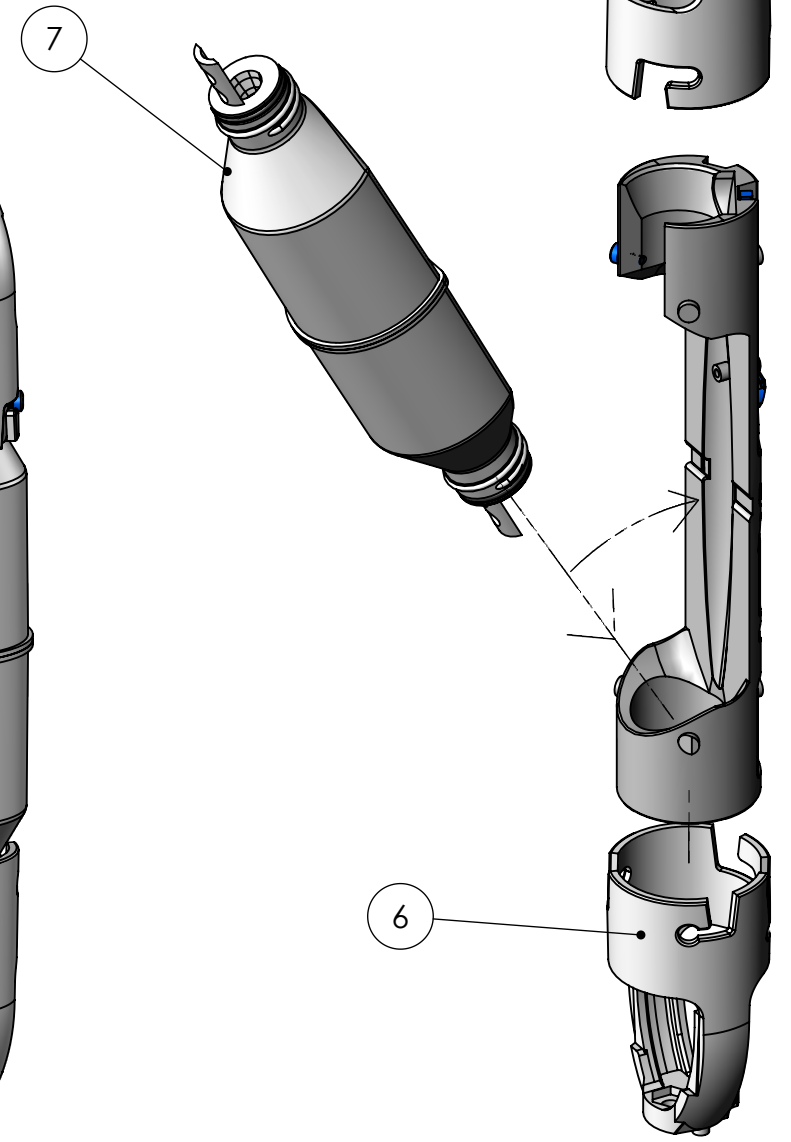
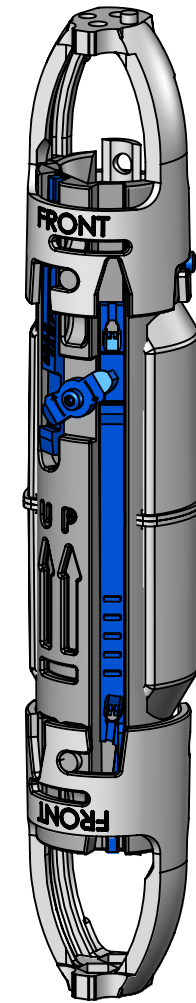
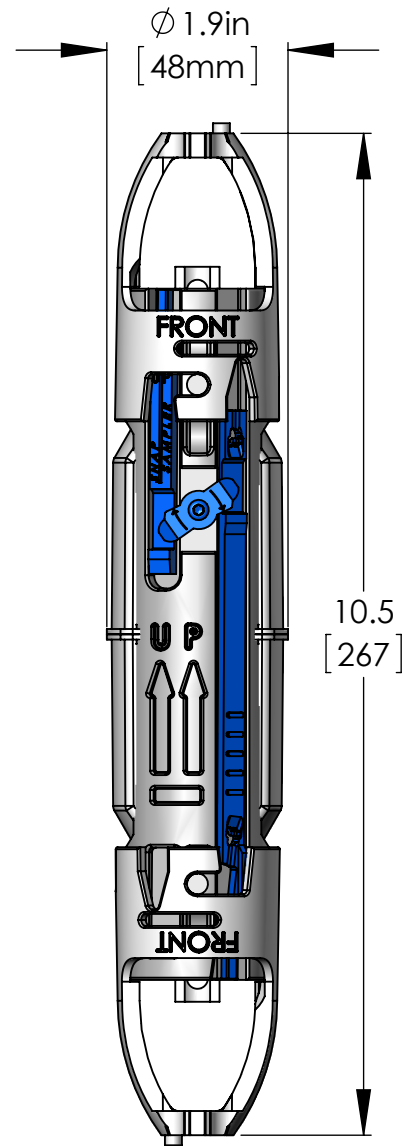
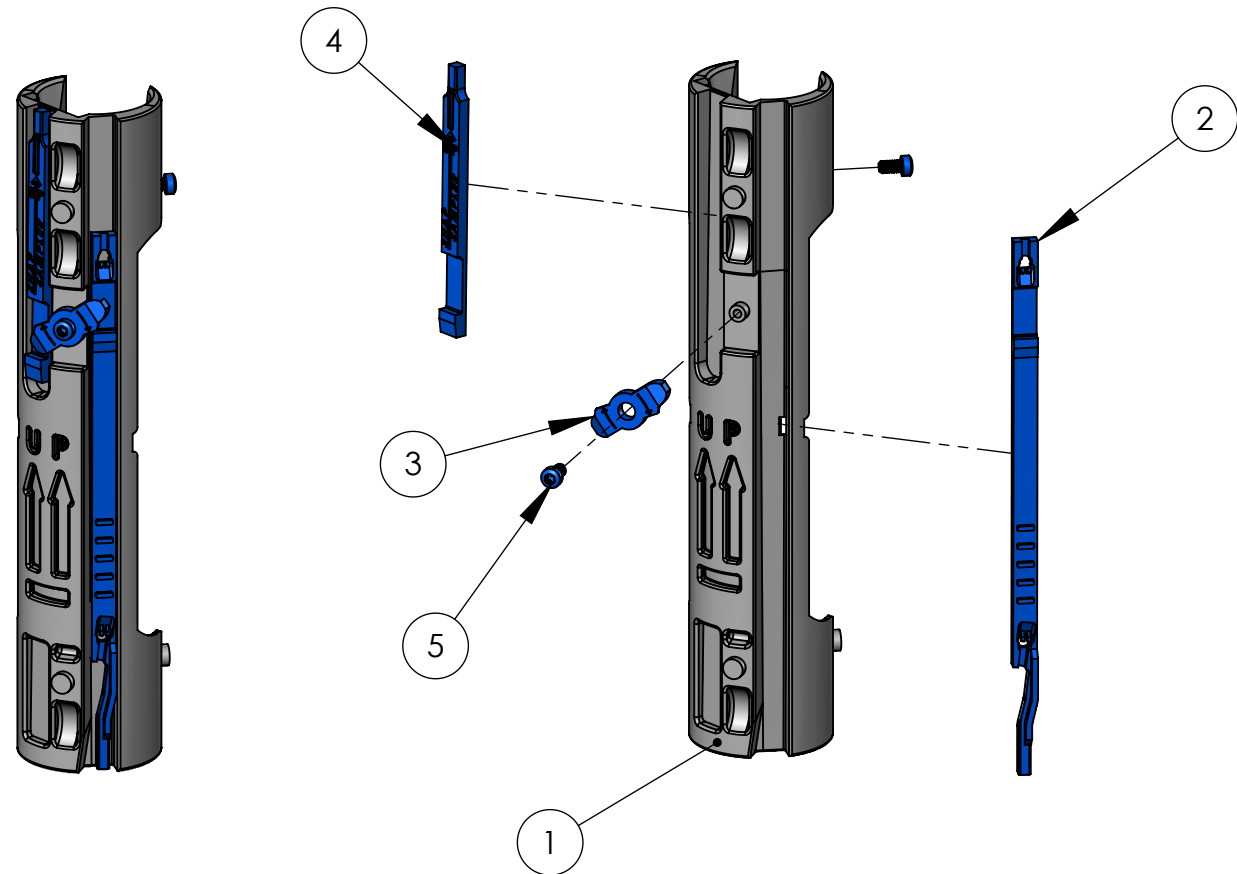
3

2

1

ITEM NO.	DESCRIPTION	STACKED/QTY.
1	125mL/350mL SAMPLER BODY	1
2	LOWER RELEASE PIN (LONG)	1
3	RELEASE PIN LEVER	1
4	UPPER RELEASE PIN	1
5	4-40 SCREW (PLASTIC)	2
6	TWIST-ON CONNECTOR	2
7	125mL BOTTLE	1

D  
C  
B  
A



D  
C  
B  
A

**PROPRIETARY AND CONFIDENTIAL**  
 THE INFORMATION CONTAINED IN THIS DRAWING IS THE SOLE PROPERTY OF PROHYDRO INC. ANY REPRODUCTION IN PART OR AS A WHOLE WITHOUT THE WRITTEN PERMISSION OF PROHYDRO INC. IS PROHIBITED.

UNLESS OTHERWISE SPECIFIED:  
 DIMENSIONS ARE IN INCHES  
 TOLERANCES:  
 FRACTIONAL: ± 1/16  
 ANGULAR: 1°  
 TWO PLACE DECIMAL ± 0.01  
 THREE PLACE DECIMAL ± 0.005  
 INTERPRET GEOMETRIC TOLERANCING PER:  
 ASME Y14.5-2009  
 MATERIAL  
 FINISH  
 DO NOT SCALE DRAWING

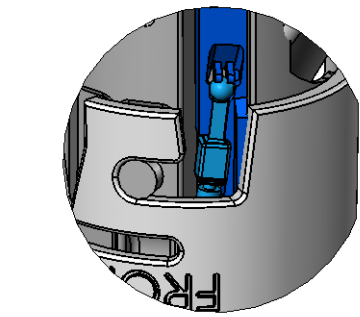
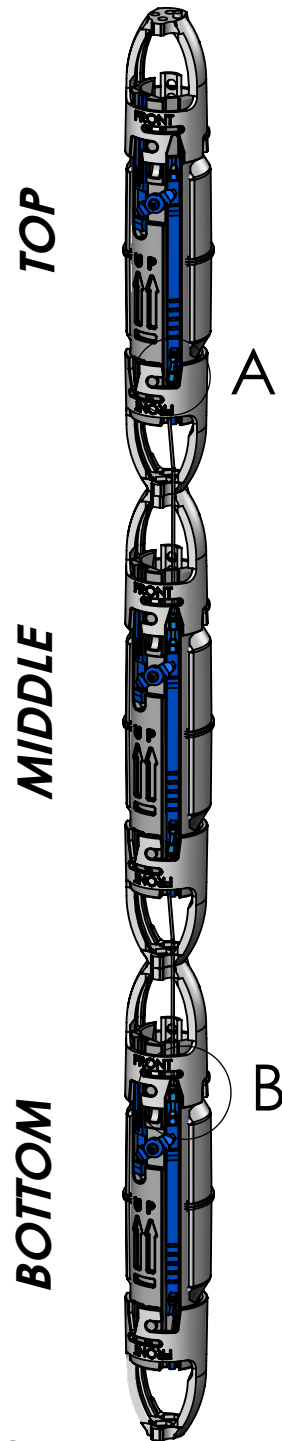
DRAWN	NAME	DATE
	MAB	01/02/13
CHECKED		
ENG APPR.		
MFG APPR.		
Q.A.		
COMMENTS:	1in [25.4mm]	

<i>ProHydro, Inc.</i>		
<small>MADE IN THE USA   585-385-0023   www.prohydro.com</small>		
TITLE: <b>125mL SNAP SAMPLER</b>		
SIZE	PART NO.	REV
<b>B</b>		
SCALE: 1:2	WEIGHT:	SHEET 1 OF 2

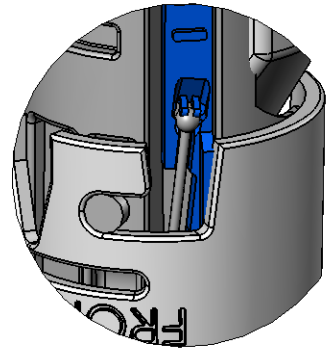
8 7 6 5 4 3 2 1

ITEM NO.	DESCRIPTION	QTY.
1	BALL END CONNECTOR (PLASTIC)	2
2	BALL END CONNECTOR (S.S.)	2
3	125mL SNAP SAMPLER	3
4	SCREW (PLASTIC)	4
5	HEX NUT (PLASTIC)	4

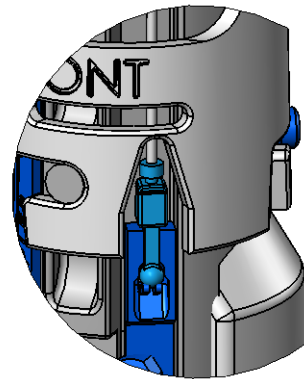
D  
C  
B  
A



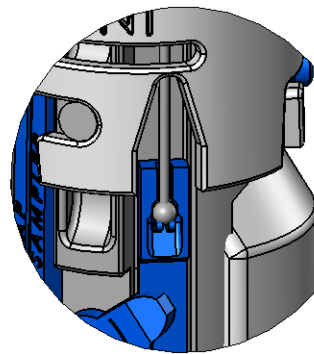
DETAIL A  
PLASTIC CONNECTOR  
CABLE INSERTION



DETAIL A'  
S.S. CONNECTOR  
CABLE INSERTION

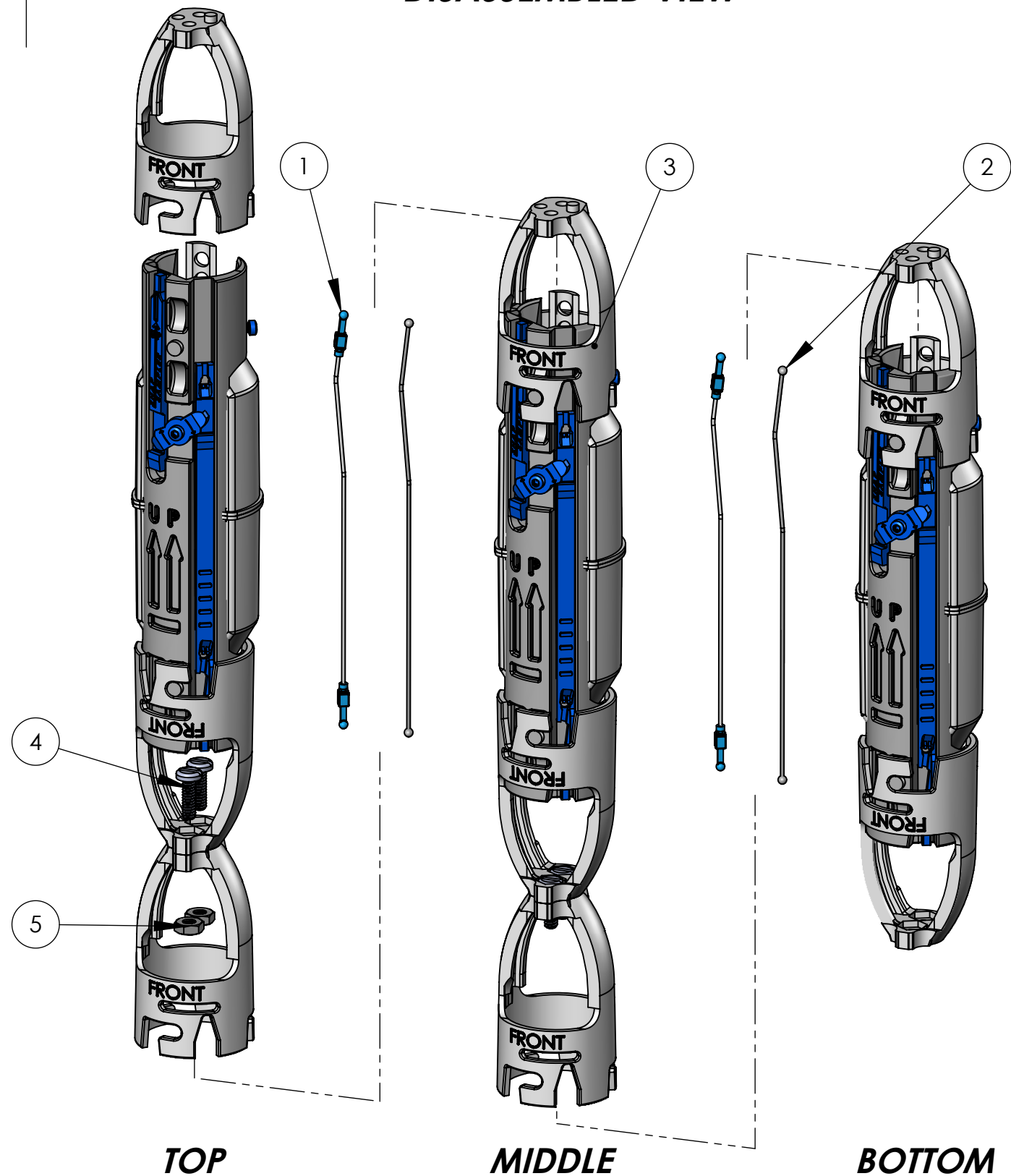


DETAIL B  
PLASTIC CONNECTOR  
CABLE INSERTION



DETAIL B'  
S.S. CONNECTOR  
CABLE INSERTION

**DISASSEMBLED VIEW**



**TOP**

**MIDDLE**

**BOTTOM**

**NOTE:**

- 40mL AND 125mL SNAP SAMPLERS ARE INTERCHANGEABLE AND CAN BE ASSEMBLED IN ANY COMBINATION UP TO 6 IN SERIES.
- EITHER CABLE CONNECTOR(S) (PLASTIC OR STAINLESS STEEL) CAN BE USED

**PROPRIETARY AND CONFIDENTIAL**  
THE INFORMATION CONTAINED IN THIS DRAWING IS THE SOLE PROPERTY OF PROHYDRO INC. ANY REPRODUCTION IN PART OR AS A WHOLE WITHOUT THE WRITTEN PERMISSION OF PROHYDRO INC. IS PROHIBITED.

UNLESS OTHERWISE SPECIFIED:  
DIMENSIONS ARE IN INCHES  
TOLERANCES:  
FRACTIONAL:  $\pm 1/16$   
ANGULAR: 1°  
TWO PLACE DECIMAL  $\pm 0.01$   
THREE PLACE DECIMAL  $\pm 0.005$   
INTERPRET GEOMETRIC TOLERANCING PER:  
ASME Y14.5-2009  
MATERIAL  
FINISH  
DO NOT SCALE DRAWING

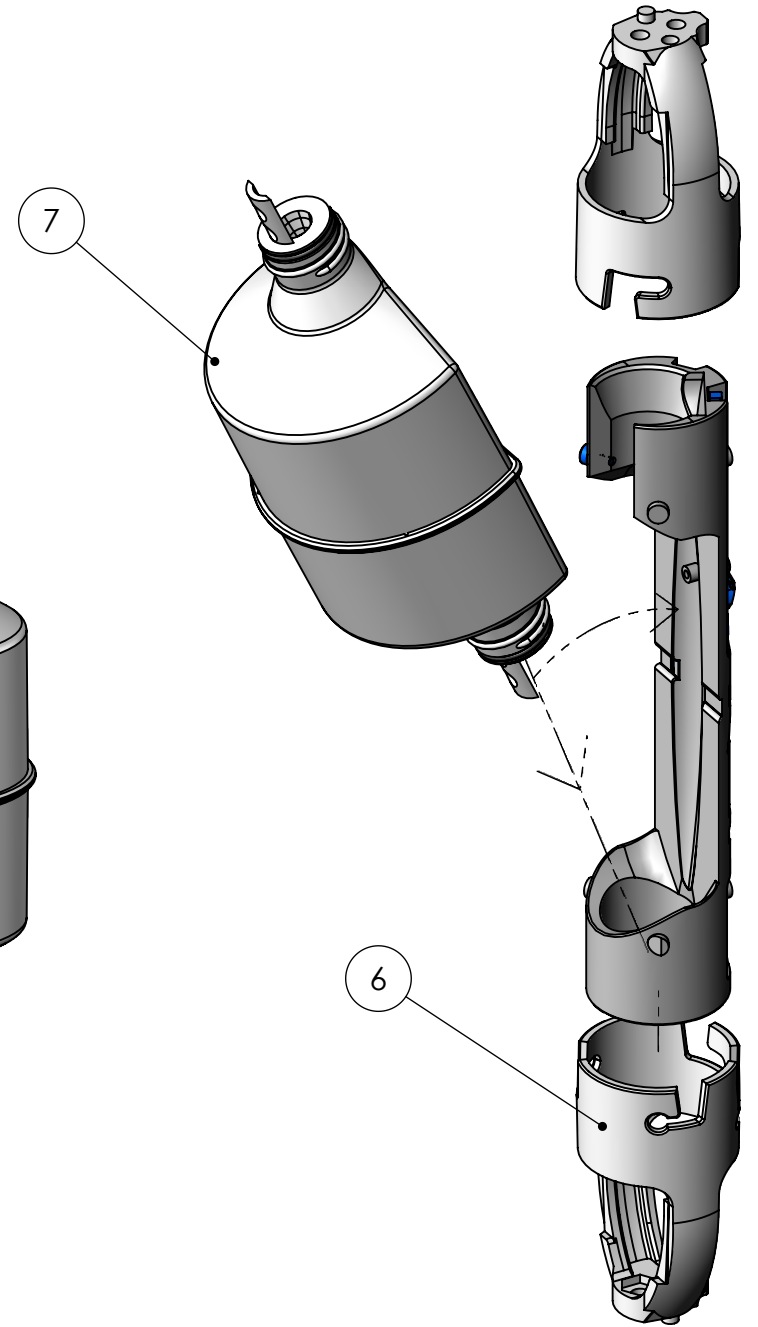
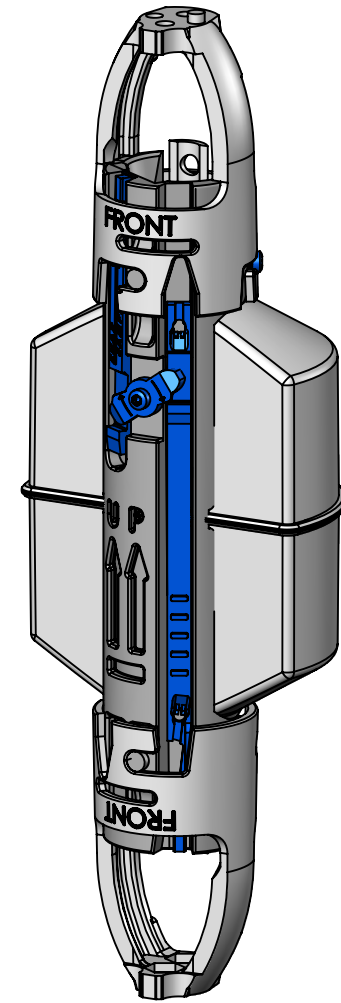
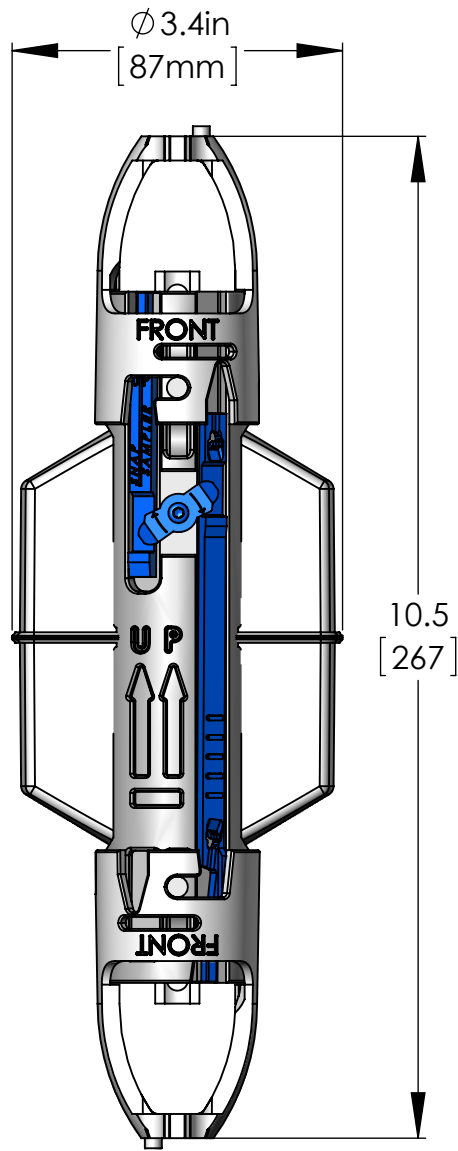
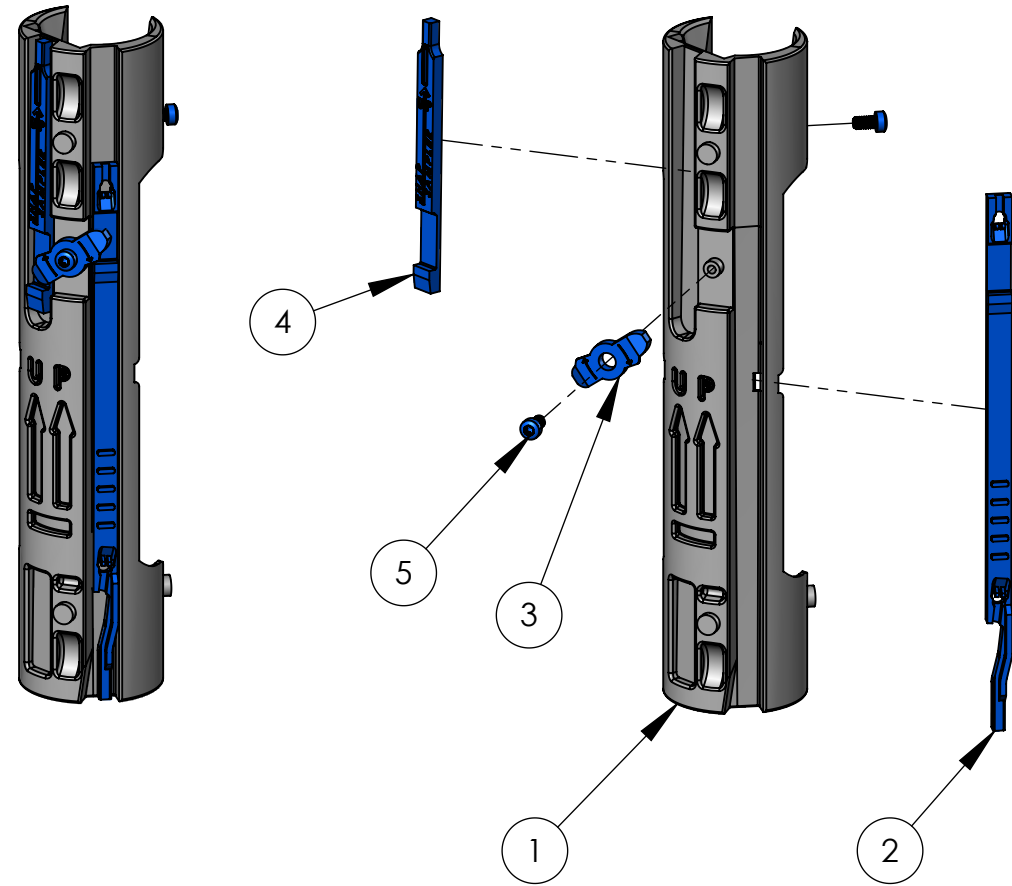
DRAWN	NAME	DATE
	MAB	01/02/13
CHECKED		
ENG APPR.		
MFG APPR.		
Q.A.		
COMMENTS:	1in [25.4mm]	

ProHydro, Inc.		
<small>MADE IN THE USA   585-385-0023   www.prohydro.com</small>		
TITLE: <b>125mL SNAP SAMPLER</b>		
SIZE <b>B</b>	PART NO.	REV
SCALE: 1:2	WEIGHT:	SHEET 2 OF 2

8 7 6 5 4 3 2 1

ITEM NO.	DESCRIPTION	QTY.
1	125mL/350mL SAMPLER BODY	1
2	LOWER RELEASE PIN (LONG)	1
3	RELEASE PIN LEVER	1
4	UPPER RELEASE PIN	1
5	4-40 SCREW (PLASTIC)	2
6	TWIST-ON CONNECTOR	2
7	350mL BOTTLE	1

D  
C  
B  
A



D  
C  
B  
A

**PROPRIETARY AND CONFIDENTIAL**  
 THE INFORMATION CONTAINED IN THIS DRAWING IS THE SOLE PROPERTY OF HARBEC PLASTICS INC. ANY REPRODUCTION IN PART OR AS A WHOLE WITHOUT THE WRITTEN PERMISSION OF HARBEC PLASTICS INC. IS PROHIBITED.

UNLESS OTHERWISE SPECIFIED:  
 DIMENSIONS ARE IN INCHES  
 TOLERANCES:  
 FRACTIONAL:  $\pm 1/16$   
 ANGULAR: 1°  
 TWO PLACE DECIMAL:  $\pm 0.01$   
 THREE PLACE DECIMAL:  $\pm 0.005$   
 INTERPRET GEOMETRIC TOLERANCING PER:  
 ASME Y14.5-2009  
 MATERIAL:  
 FINISH:  
 DO NOT SCALE DRAWING

DRAWN	NAME	DATE
	MAB	01/02/13
CHECKED		
ENG APPR.		
MFG APPR.		
Q.A.		
COMMENTS:	1in [25.4mm]	

<i>ProHydro, Inc.</i>		
<small>MADE IN THE USA   585-385-0023   www.prohydro.com</small>		
TITLE: <b>350mL SNAP SAMPLER</b>		
SIZE	PART NO.	REV
<b>B</b>		
SCALE: 1:2	WEIGHT:	SHEET 1 OF 2

8 7 6 5 4 3 2 1

ITEM NO.	DESCRIPTION	QTY.
1	350mL SNAP SAMPLER	3
2	BALL END CONNECTOR (PLASTIC)	2
3	BALL END CONNECTOR (S.S.)	2
4	SCREW (PLASTIC)	4
5	HEX NUT (PLASTIC)	4

D

C

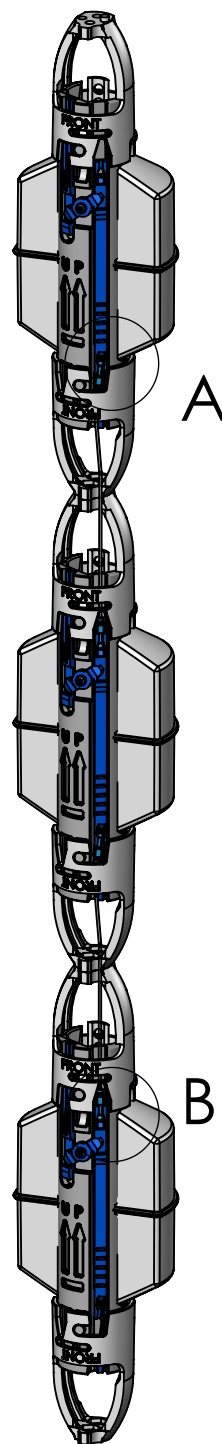
B

A

TOP

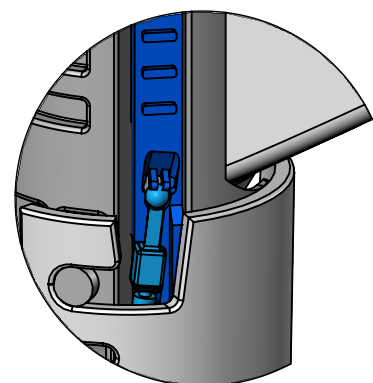
MIDDLE

BOTTOM

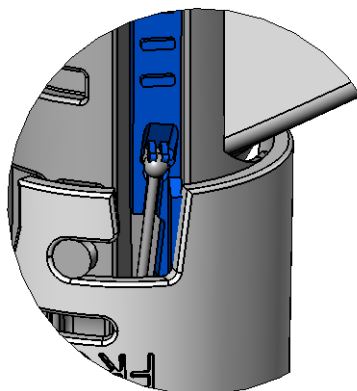


A

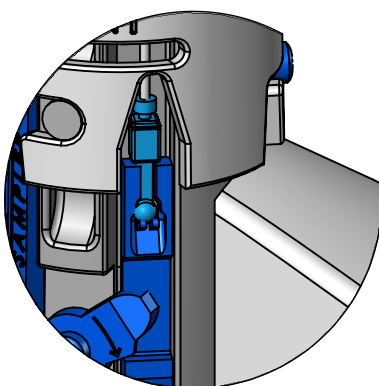
B



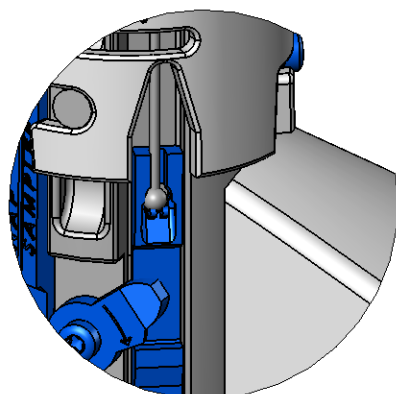
DETAIL A  
PLASTIC CONNECTOR  
CABLE INSERTION



DETAIL A'  
S.S. CONNECTOR  
CABLE INSERTION

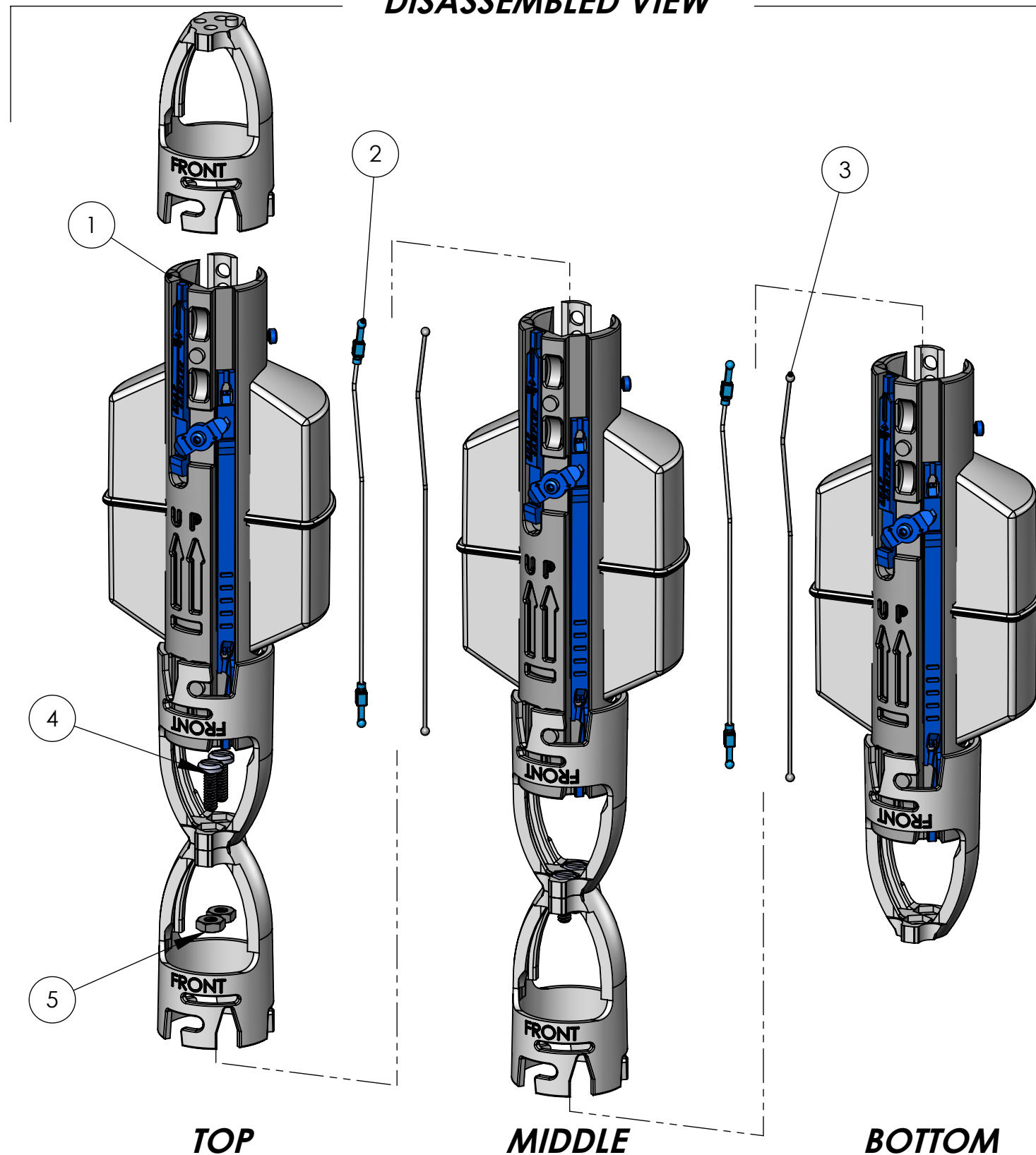


DETAIL B  
PLASTIC CONNECTOR  
CABLE INSERTION



DETAIL B'  
S.S. CONNECTOR  
CABLE INSERTION

## DISASSEMBLED VIEW



TOP

MIDDLE

BOTTOM

### NOTE:

- 40mL AND 125mL SNAP SAMPLERS ARE INTERCHANGEABLE AND CAN BE ASSEMBLED IN ANY COMBINATION UP TO 6 IN SERIES.
- EITHER CABLE CONNECTOR(S) (PLASTIC OR STAINLESS STEEL) CAN BE USED

**PROPRIETARY AND CONFIDENTIAL**  
THE INFORMATION CONTAINED IN THIS DRAWING IS THE SOLE PROPERTY OF PROHYDRO INC. ANY REPRODUCTION IN PART OR AS A WHOLE WITHOUT THE WRITTEN PERMISSION OF PROHYDRO INC. IS PROHIBITED.

UNLESS OTHERWISE SPECIFIED:  
DIMENSIONS ARE IN INCHES  
TOLERANCES:  
FRACTIONAL:  $\pm 1/16$   
ANGULAR: 1°  
TWO PLACE DECIMAL:  $\pm 0.01$   
THREE PLACE DECIMAL:  $\pm 0.005$   
INTERPRET GEOMETRIC TOLERANCING PER:  
ASME Y14.5-2009  
MATERIAL:  
FINISH:  
DO NOT SCALE DRAWING

DRAWN	NAME	DATE
	MAB	01/02/13
CHECKED		
ENG APPR.		
MFG APPR.		
Q.A.		
COMMENTS:	1 in [25.4mm]	

ProHydro, Inc.		
MADE IN THE USA   585-385-0023   www.prohydro.com		
TITLE: 350mL SNAP SAMPLER		
SIZE	PART NO.	REV
<b>B</b>		
SCALE: 1:2	WEIGHT:	SHEET 2 OF 2

8

7

6

5

4

3

2

1

D

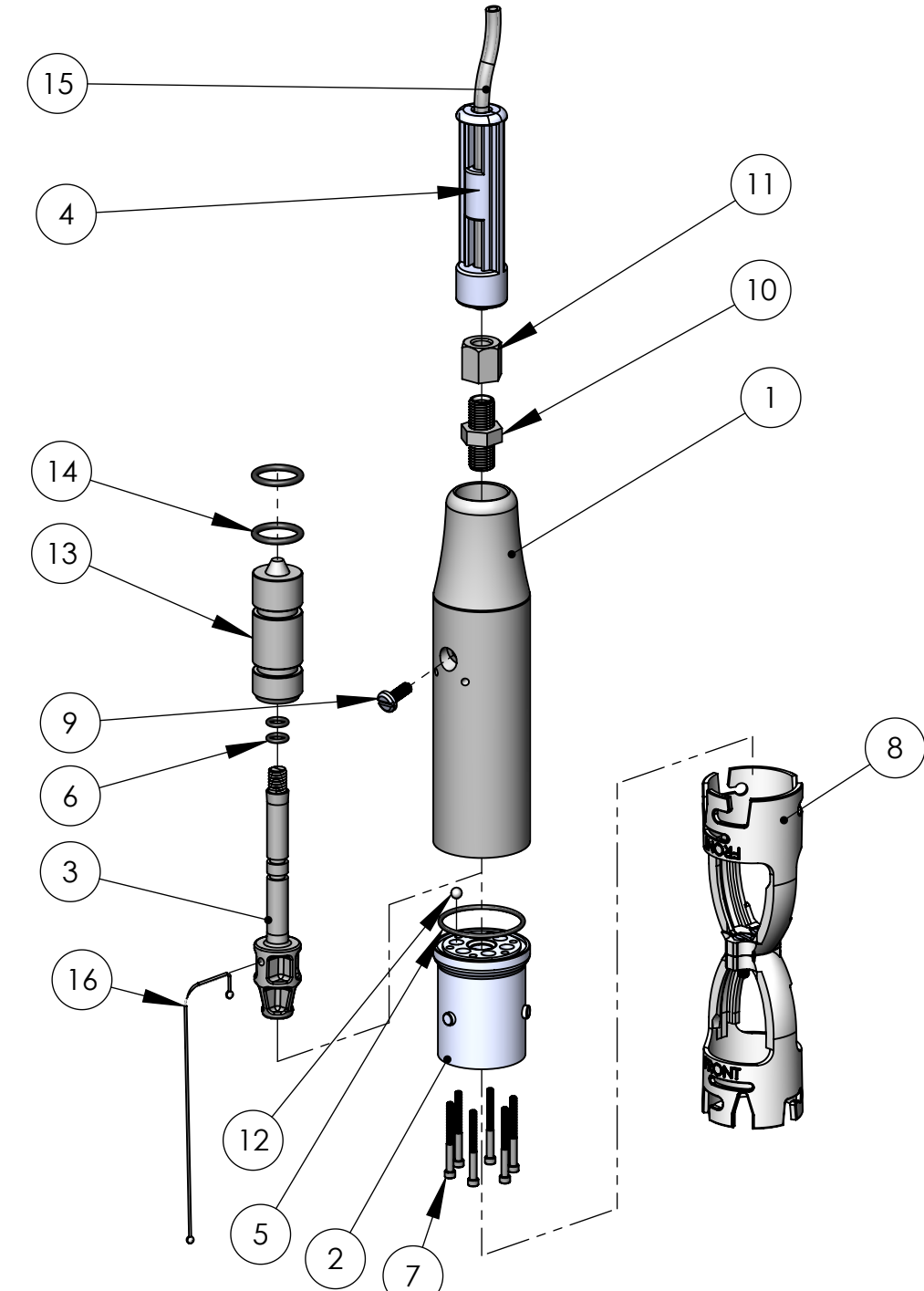
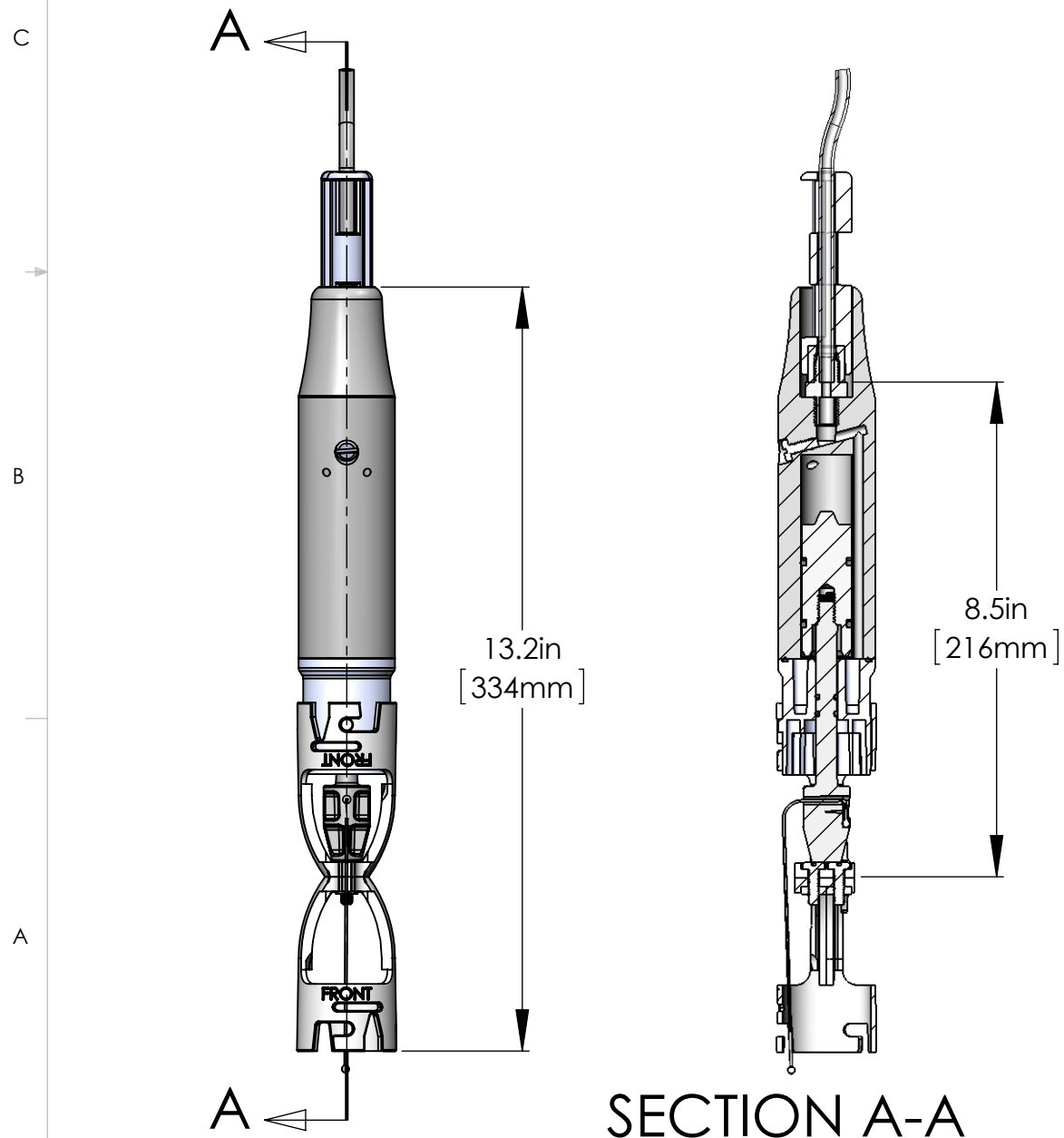
C

B

A

ITEM NO.	DESCRIPTION	QTY.
1	PNEUMATIC CYLINDER (MACHINED)	1
2	PNEUMATIC BASE	1
3	MOLDED PLUNGER	1
4	AIR-LINE WRENCH TOOL	1
5	PNEUMATIC BASE O-RING	1
6	PLUNGER STEM O-RING	2
7	4-40 SHCS (S.S.)	6
8	TWIST-ON CONNECTOR	2
9	MACHINE SCREW (VENT PLUG)	1
10	CONNECTOR TUBE FITTING (BODY)	1
11	CONNECTOR TUBE FITTING (NUT)	1
12	CHECK VALVE BALL (VITON)	1
13	MACHINED PLUNGER	1
14	MACHINED PLUNGER O-RING	2
15	AIR-LINE TUBE	1
16	CONNECTOR CABLE (S.S. OR PLASTIC)	1

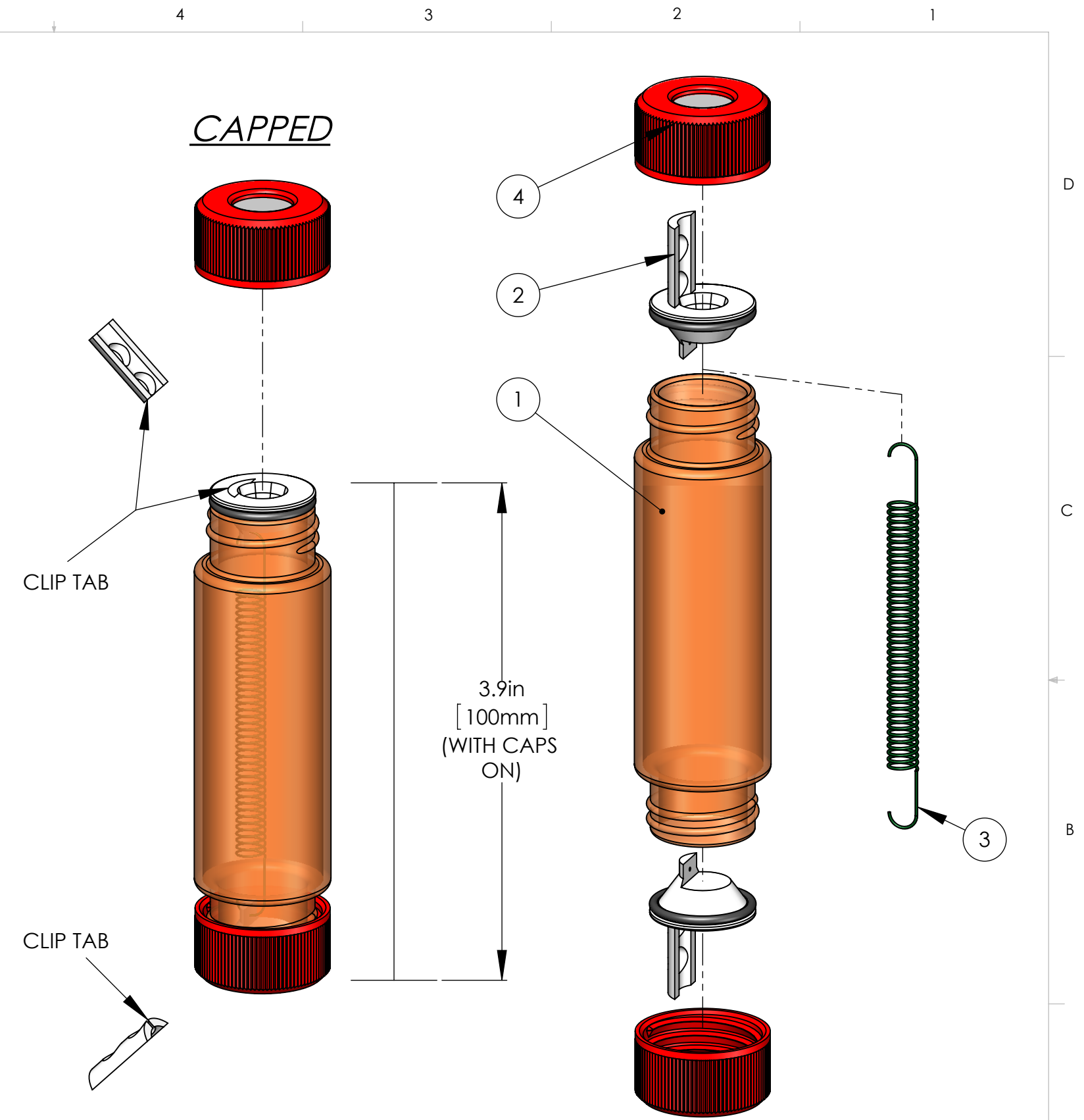
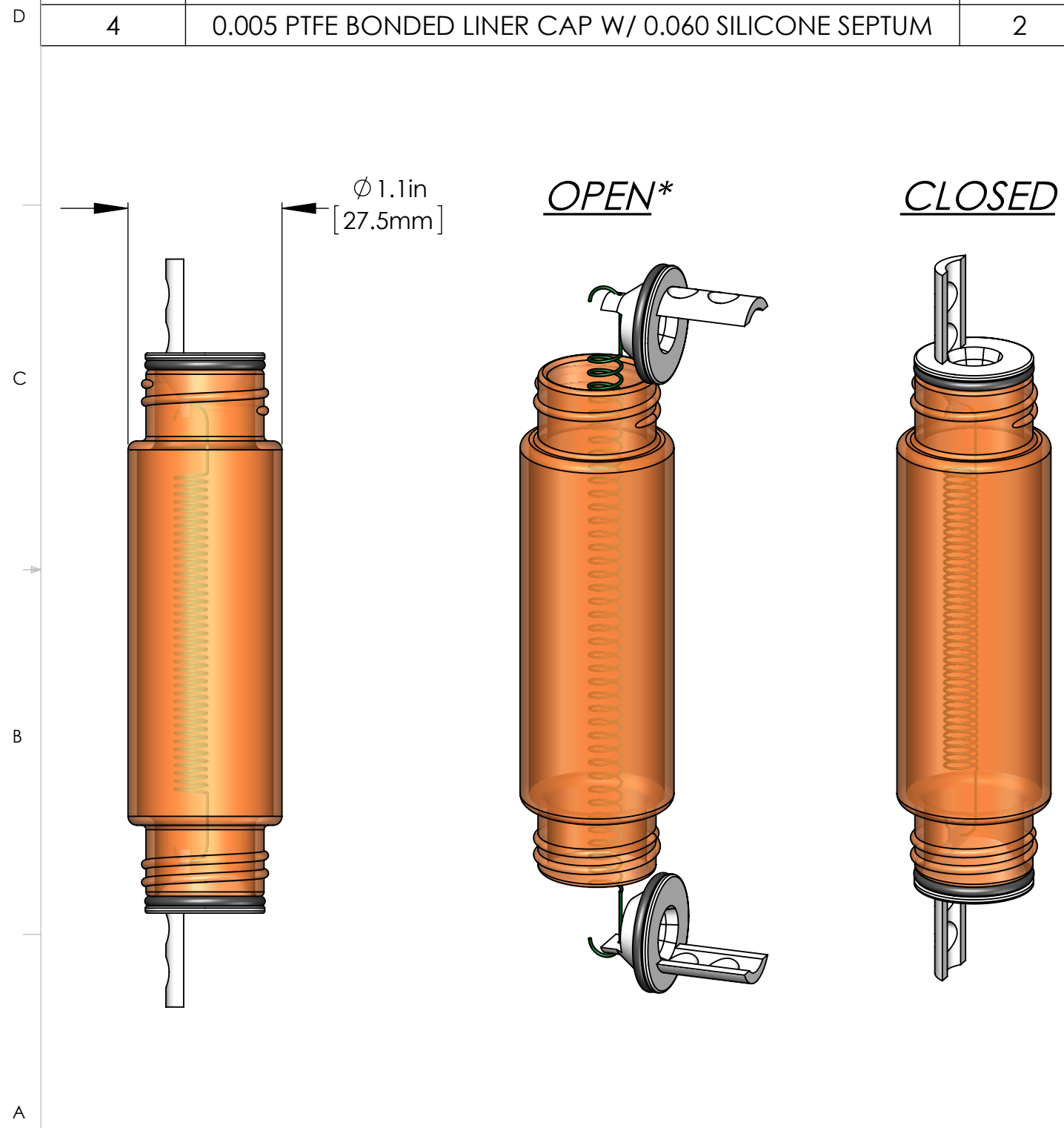
FOR ILLUSTRATION ONLY  
 NO USER DISASSEMBLY REQUIRED. AIRTUBE  
 ATTACHMENT (PARTS 4, 11, & 15) IS THE ONLY  
 ASSEMBLY REQUIRED FOR USE.



**PROPRIETARY AND CONFIDENTIAL**  
 THE INFORMATION CONTAINED IN THIS DRAWING IS THE SOLE  
 PROPERTY OF PROHYDRO INC. ANY REPRODUCTION IN PART OR  
 AS A WHOLE WITHOUT THE WRITTEN PERMISSION OF PROHYDRO  
 INC. IS PROHIBITED.

UNLESS OTHERWISE SPECIFIED: DIMENSIONS ARE IN INCHES TOLERANCES: FRACTIONAL: ± 1/16 ANGULAR: 1° TWO PLACE DECIMAL ± 0.01 THREE PLACE DECIMAL ± 0.005 INTERPRET GEOMETRIC TOLERANCING PER: ASME Y14.5-2009		DRAWN	NAME	DATE	<b>ProHydro, Inc.</b> <small>MADE IN THE USA   585-385-0023   www.prohydro.com</small> <b>TITLE:</b> <b>PNEUMATIC ACTUATOR</b> <small>SIZE PART NO. REV</small> <b>B</b>
MATERIAL	CHECKED	MAB	01/02/13		
FINISH	ENG APPR.				
DO NOT SCALE DRAWING	MFG APPR.				
	COMMENTS:	1in [25.4mm]			
	SCALE: 1:3	WEIGHT:	SHEET 1 OF 1		

ITEM NO.	DESCRIPTION	QTY.
1	40mL BOTTLE, CLEAR OR AMBER (SHOWN)	1
2	"SNAP" CAP W/ O-RING	2
3	40mL SAMPLER EXT. SPRING (S.S WITH PFA "TEFLON" COATING)	1
4	0.005 PTFE BONDED LINER CAP W/ 0.060 SILICONE SEPTUM	2



\*SHOWN WITHOUT SNAP SAMPLER MECHANISM. BLUE "RELEASE PIN" PARTS HOLD "SNAP CAPS" IN THIS POSITION. SEE SNAP SAMPLER DRAWINGS.

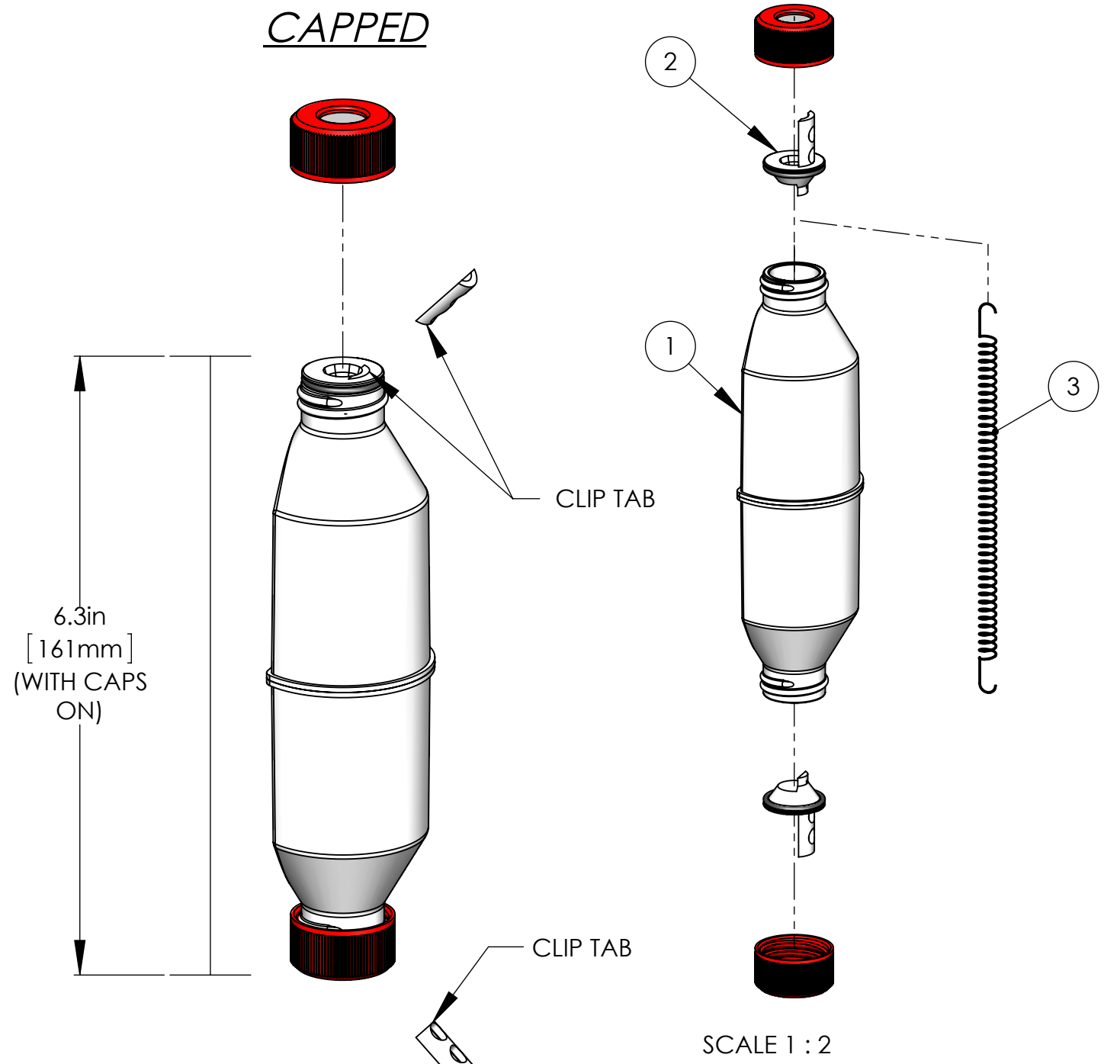
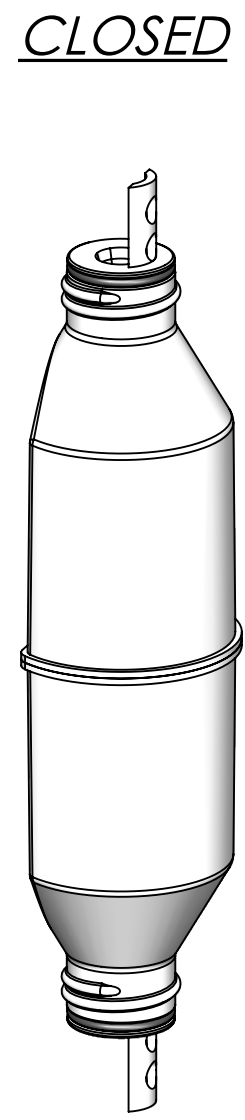
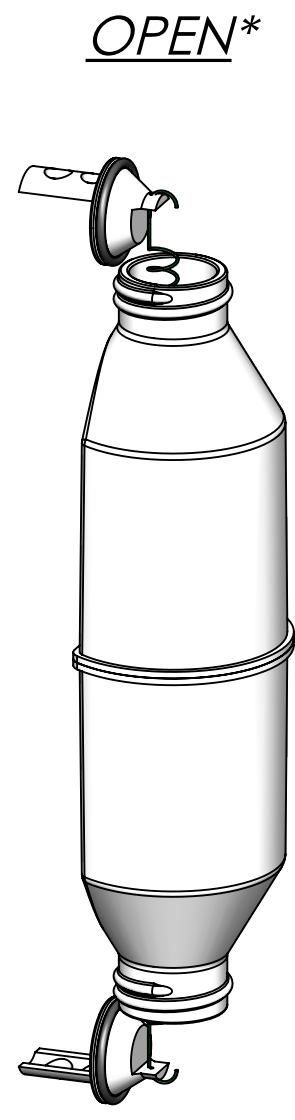
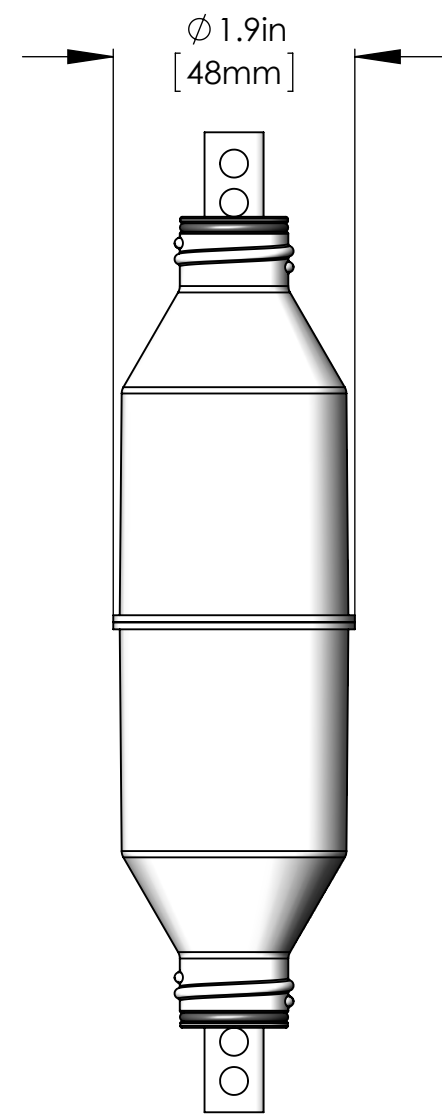
**PROPRIETARY AND CONFIDENTIAL**  
 THE INFORMATION CONTAINED IN THIS DRAWING IS THE SOLE PROPERTY OF PROHYDRO, INC. ANY REPRODUCTION IN PART OR AS A WHOLE WITHOUT THE WRITTEN PERMISSION OF PROHYDRO INC. IS PROHIBITED.

UNLESS OTHERWISE SPECIFIED: DIMENSIONS ARE IN IN TOLERANCES: FRACTIONAL: ± 1/16 ANGULAR: 1° TWO PLACE DECIMAL ± 0.10 THREE PLACE DECIMAL ± 0.005 INTERPRET GEOMETRIC TOLERANCING PER: ASME Y14.5-2009		DRAWN	NAME	DATE	<b>ProHydro, Inc.</b> <small>MADE IN THE USA   585-385-0023   www.prohydro.com</small> TITLE: <b>40mL SAMPLER BOTTLE</b> SIZE PART NO. REV <b>B</b> SCALE: 1:1 WEIGHT: SHEET 1 OF 3
MATERIAL	1in [25.4mm]	CHECKED	MAB	01/02/13	
FINISH		ENG APPR.			
DO NOT SCALE DRAWING		MFG APPR.			



ITEM NO.	DESCRIPTION	QTY.
1	125mL BOTTLE (PLASTIC)	1
2	"SNAP" CAP W/ O-RING	2
3	125mL SAMPLER EXT. SPRING (S.S. WITH PFA "TEFLON" COATING)	1
4	0.005 PTFE BONDED LINER CAP W/ 0.060 SILICONE SEPTUM	2

D  
C  
B  
A



D  
C  
B  
A

\*SHOWN WITHOUT SNAP SAMPLER MECHANISM. BLUE "RELEASE PIN" PARTS HOLD "SNAP CAPS" IN THIS POSITION. SEE SNAP SAMPLER DRAWINGS.

**PROPRIETARY AND CONFIDENTIAL**  
THE INFORMATION CONTAINED IN THIS DRAWING IS THE SOLE PROPERTY OF PROHYDRO, INC. ANY REPRODUCTION IN PART OR AS A WHOLE WITHOUT THE WRITTEN PERMISSION OF PROHYDRO INC. IS PROHIBITED.

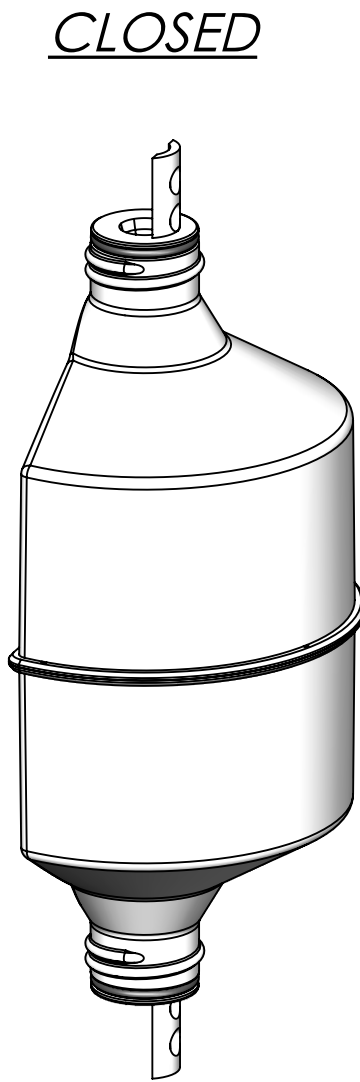
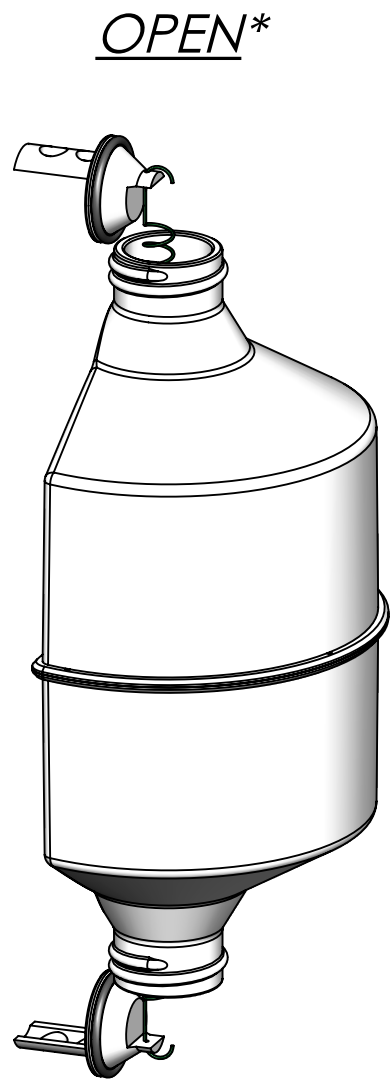
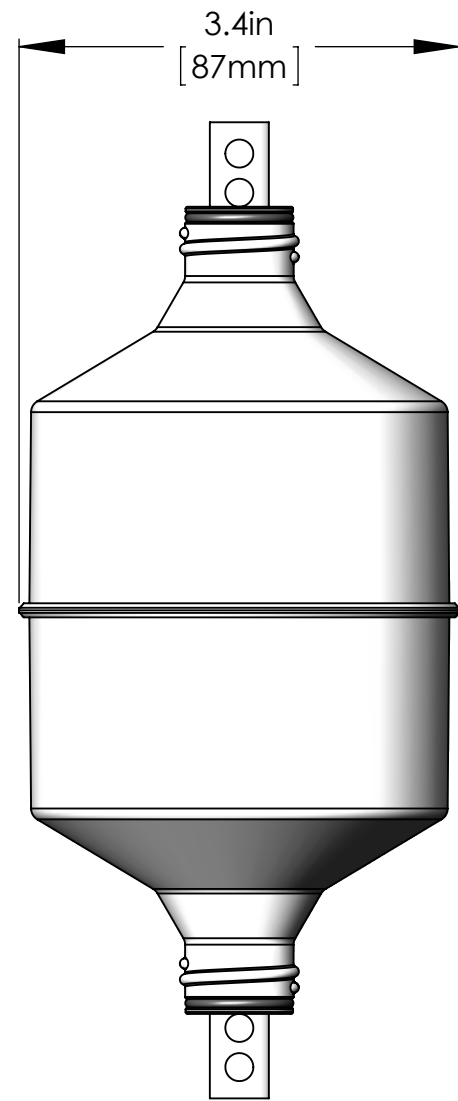
UNLESS OTHERWISE SPECIFIED:  
DIMENSIONS ARE IN IN  
TOLERANCES:  
FRACTIONAL: ± 1/16  
ANGULAR: 1°  
TWO PLACE DECIMAL ± 0.10  
THREE PLACE DECIMAL ± 0.005  
INTERPRET GEOMETRIC TOLERANCING PER:  
ASME Y14.5-2009  
MATERIAL  
FINISH  
DO NOT SCALE DRAWING

DRAWN	NAME	DATE
CHECKED	MAB	01/02/13
ENG APPR.		
MFG APPR.		
Q.A.		
COMMENTS:	1in [25.4mm]	

ProHydro, Inc.		
MADE IN THE USA   585-385-0023   www.prohydro.com		
TITLE: 125mL SNAP SAMPLER		
SIZE	PART NO.	REV
<b>B</b>		
SCALE: 2:3	WEIGHT:	SHEET 2 OF 3

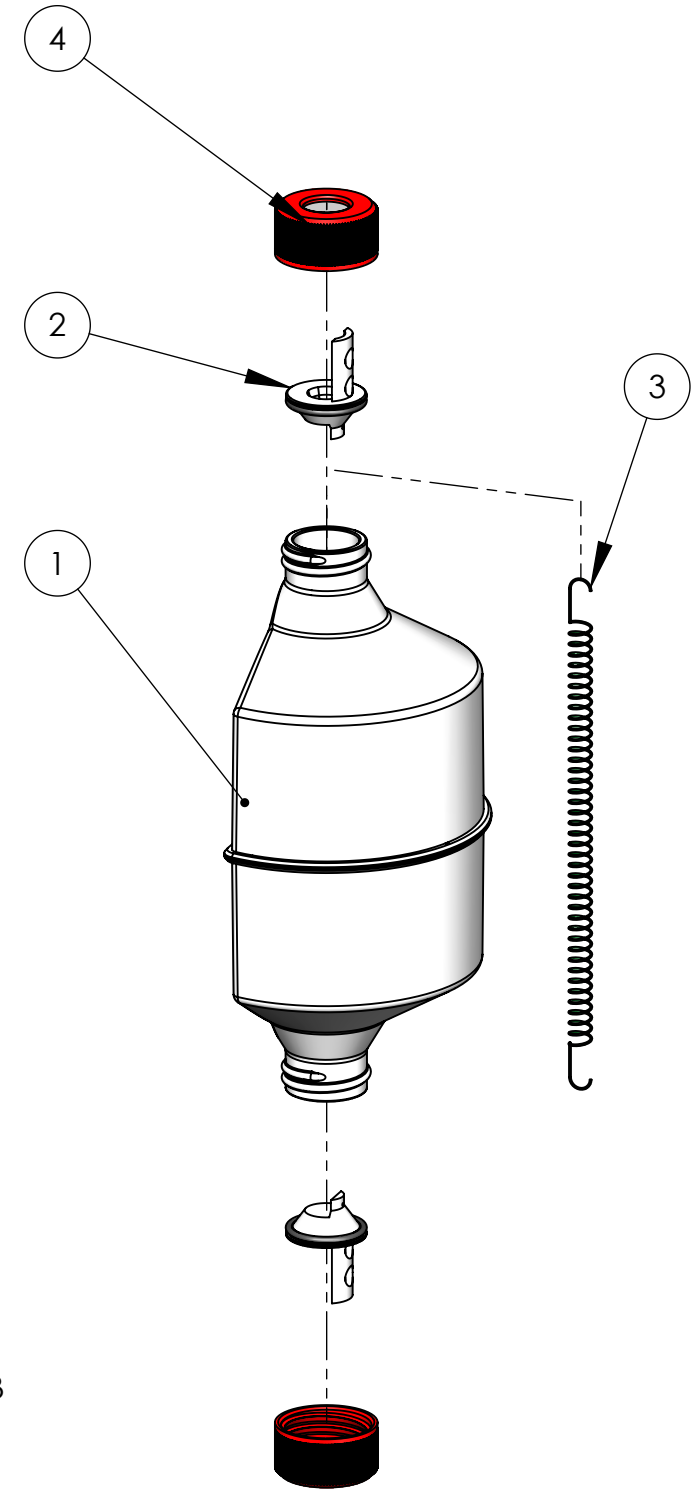
8 7 6 5 4 3 2 1

ITEM NO.	DESCRIPTION	QTY.
1	350mL BOTTLE (PLASTIC)	1
2	"SNAP" CAP W/ O-RING	2
3	350mL SAMPLER EXT. SPRING (S.S. WITH PFA "TEFLON" COATING)	1
4	0.005 PTFE BONDED LINER CAP W/ 0.060 SILICONE SEPTUM	2



6.3in  
[161mm]  
(WITH CAPS ON)

CAPPED



\*SHOWN WITHOUT SNAP SAMPLER MECHANISM.  
BLUE "RELEASE PIN" PARTS HOLD "SNAP CAPS" IN THIS POSITION. SEE SNAP SAMPLER DRAWINGS.

**PROPRIETARY AND CONFIDENTIAL**  
THE INFORMATION CONTAINED IN THIS DRAWING IS THE SOLE PROPERTY OF PROHYDRO, INC. ANY REPRODUCTION IN PART OR AS A WHOLE WITHOUT THE WRITTEN PERMISSION OF PROHYDRO INC. IS PROHIBITED.

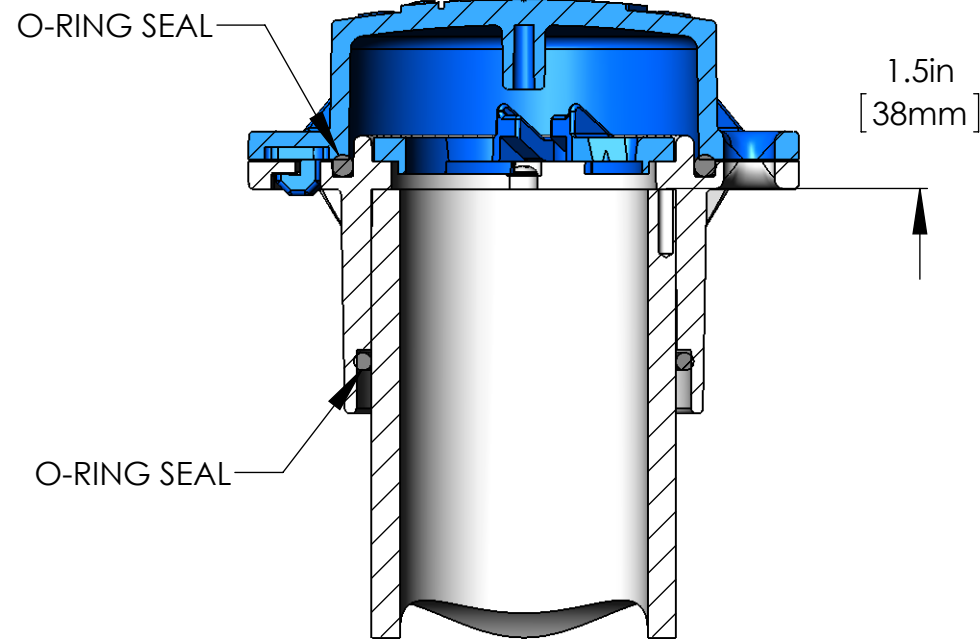
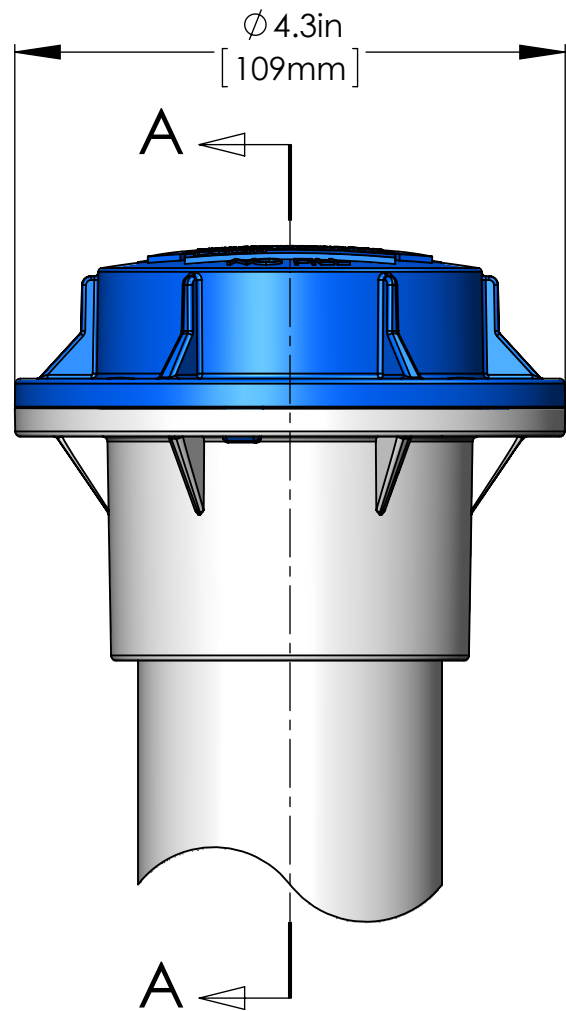
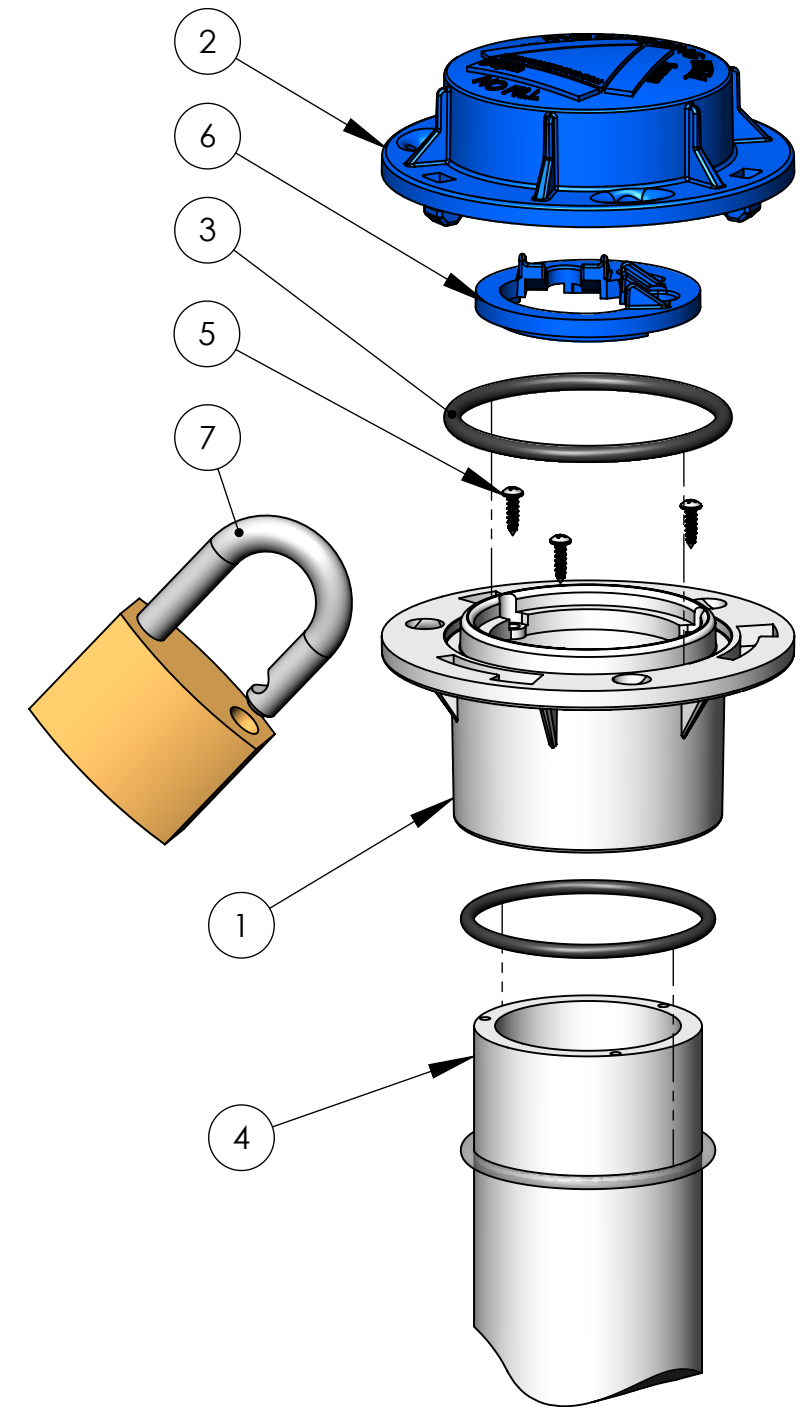
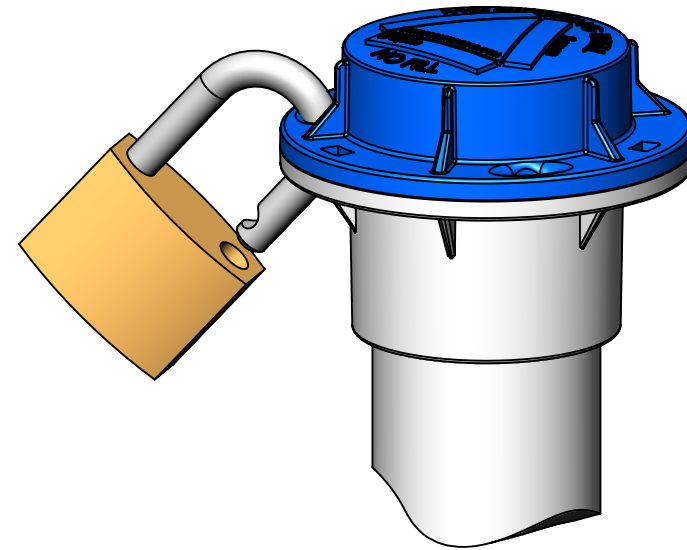
UNLESS OTHERWISE SPECIFIED:  
DIMENSIONS ARE IN INCHES  
TOLERANCES:  
FRACTIONAL:  $\pm 1/16$   
ANGULAR: 1°  
TWO PLACE DECIMAL:  $\pm 0.01$   
THREE PLACE DECIMAL:  $\pm 0.005$   
INTERPRET GEOMETRIC TOLERANCING PER:  
ASME Y14.5-2009  
MATERIAL:  
FINISH:  
DO NOT SCALE DRAWING

DRAWN	NAME	DATE
MAB	MAB	01/02/13
CHECKED		
ENG APPR.		
MFG APPR.		
Q.A.		

COMMENTS:  
1in  
[25.4mm]

**ProHydro, Inc.**  
MADE IN THE USA | 585-385-0023 | www.prohydro.com  
TITLE:  
**350mL SNAP SAMPLER**  
SIZE: **B** PART NO.: REV:  
SCALE: 2:3 WEIGHT: SHEET 3 OF 3

ITEM NO.	DESCRIPTION	QTY.
1	2" WELL DOCK BASE	1
2	2" WELL DOCK CAP	1
3	VITON O-RING	2
4	2" WELL RISER PIPE	1
5	410 SS SCREW (MAGNETIC)	3
6	2" WELL DOCK EQUIPMENT SUPPORT RING	1
7	PADLOCK (EXAMPLE; NOT INCLUDED)	1



SECTION A-A  
SCALE 1 : 1.5

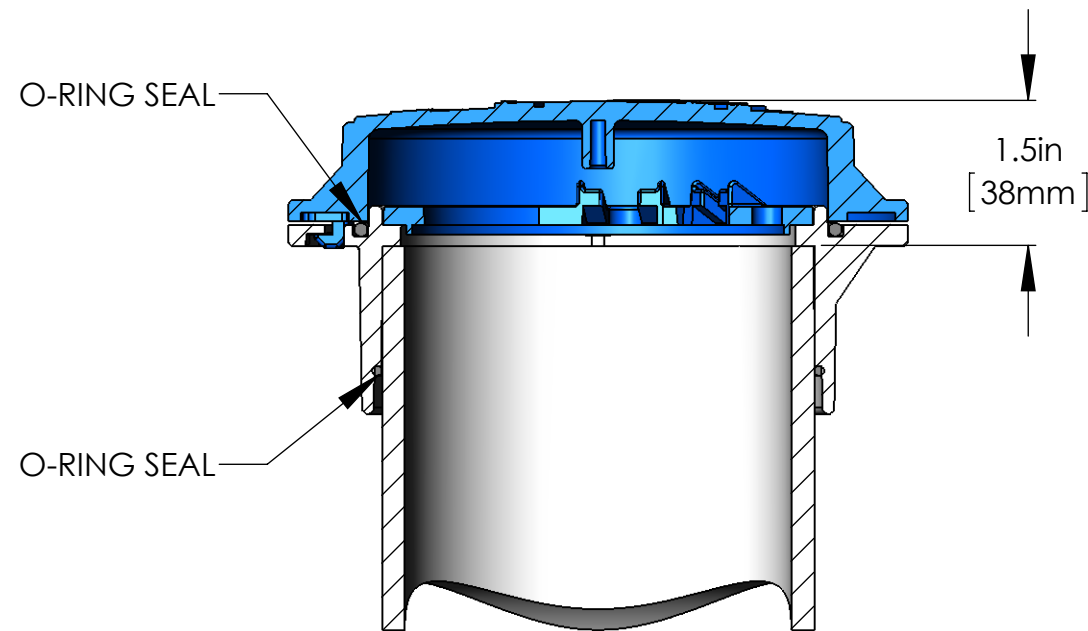
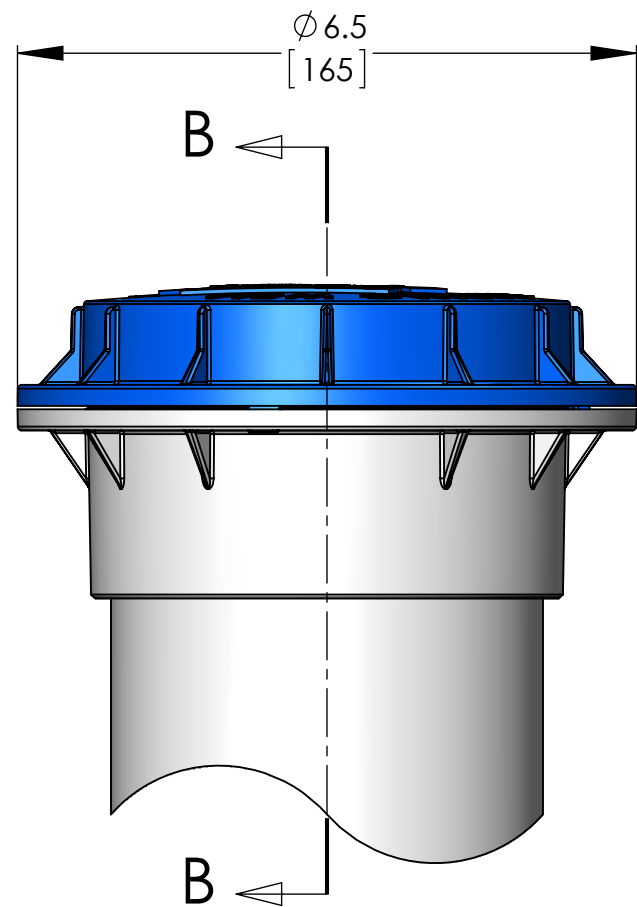
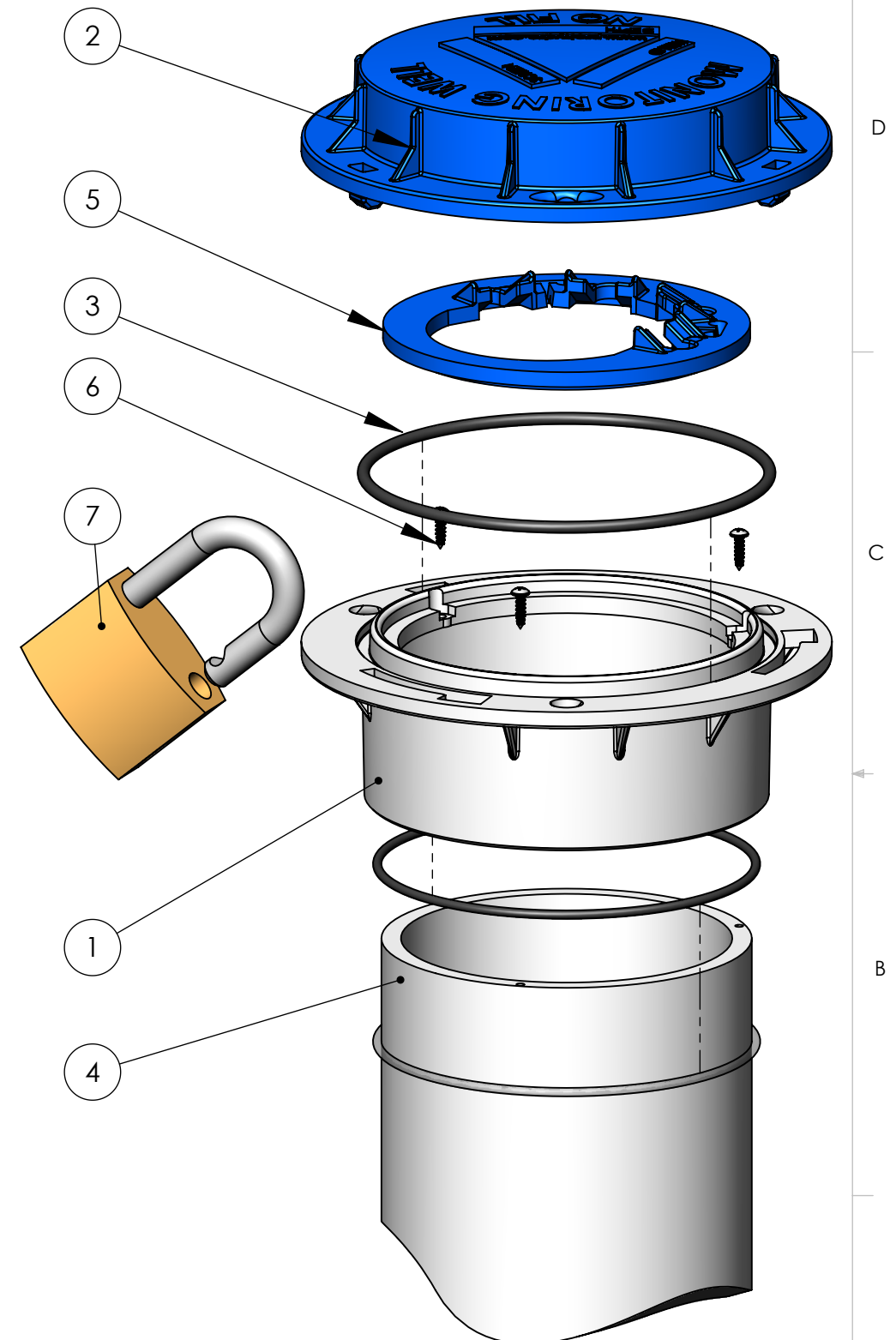
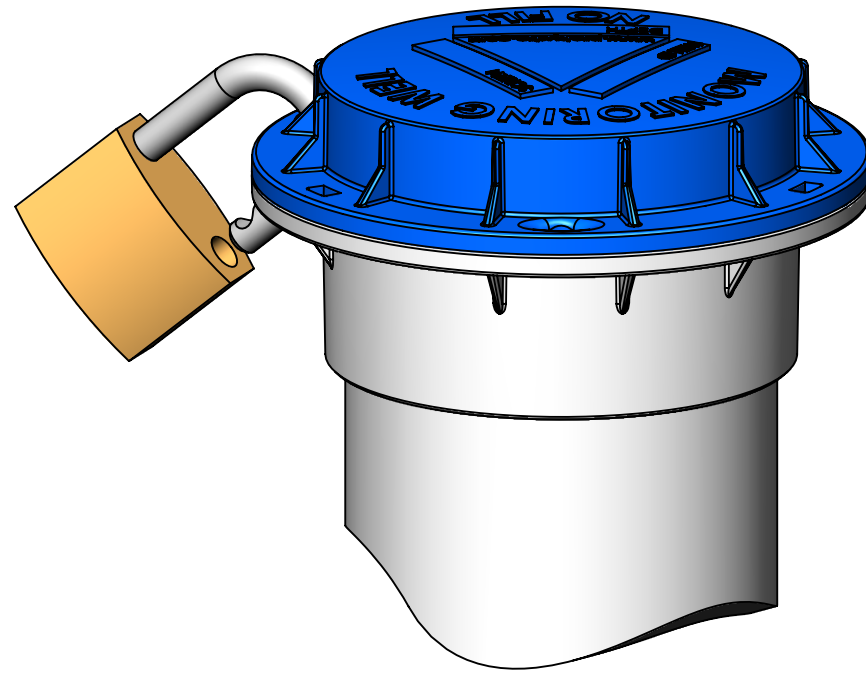
UNLESS OTHERWISE SPECIFIED:  
DIMENSIONS ARE IN INCHES  
TOLERANCES:  
FRACTIONAL: ± 1/16  
ANGULAR: 1°  
TWO PLACE DECIMAL ± 0.01  
THREE PLACE DECIMAL ± 0.005  
INTERPRET GEOMETRIC  
TOLERANCING PER:  
ASME Y14.5-2009

DRAWN	NAME	DATE
	MAB	01/02/13
CHECKED		
ENG APPR.		
MFG APPR.		
Q.A.		
COMMENTS:	1in [25.4mm]	
DO NOT SCALE DRAWING		

<i>ProHydro, Inc.</i>		
<small>MADE IN THE USA   585-385-0023   www.prohydro.com</small>		
TITLE: <b>2" WELL CAP ASSEMBLY</b>		
SIZE	PART NO.	REV
<b>B</b>		
SCALE: 1:2	WEIGHT:	SHEET 1 OF 2

**PROPRIETARY AND CONFIDENTIAL**  
THE INFORMATION CONTAINED IN THIS DRAWING IS THE SOLE PROPERTY OF PROHYDRO INC. ANY REPRODUCTION IN PART OR AS A WHOLE WITHOUT THE WRITTEN PERMISSION OF PROHYDRO INC. IS PROHIBITED.

ITEM NO.	DESCRIPTION	QTY.
1	4" WELL DOCK BASE	1
2	4" WELL DOCK CAP	1
3	VITON O-RING	2
4	4" WELL RISER PIPE	1
5	4" WELL DOCK EQUIPMENT SUPPORT RING	1
6	410 SS SCREW (MAGNETIC)	3
7	PADLOCK (EXAMPLE; NOT INCLUDED)	1



SECTION B-B

UNLESS OTHERWISE SPECIFIED:  
 DIMENSIONS ARE IN INCHES  
 TOLERANCES:  
 FRACTIONAL:  $\pm 1/16$   
 ANGULAR:  $1^\circ$   
 TWO PLACE DECIMAL:  $\pm 0.01$   
 THREE PLACE DECIMAL:  $\pm 0.005$   
 INTERPRET GEOMETRIC TOLERANCING PER:  
 ASME Y14.5-2009

DRAWN	NAME	DATE
MAB	MAB	01/02/13
CHECKED		
ENG APPR.		
MFG APPR.		
Q.A.		
COMMENTS:	1 in [25.4mm]	
DO NOT SCALE DRAWING		

<i>ProHydro, Inc.</i>		
<small>MADE IN THE USA   585-385-0023   www.prohydro.com</small>		
TITLE: <b>4" WELL CAP ASSEMBLY</b>		
SIZE	PART NO.	REV
<b>B</b>		
SCALE: 1:2	WEIGHT:	SHEET 2 OF 2

**PROPRIETARY AND CONFIDENTIAL**  
 THE INFORMATION CONTAINED IN THIS DRAWING IS THE SOLE PROPERTY OF PROHYDRO INC. ANY REPRODUCTION IN PART OR AS A WHOLE WITHOUT THE WRITTEN PERMISSION OF PROHYDRO INC. IS PROHIBITED.